

FZP series

Maximum working pressure up to 42 Mpa (420 bar) - Flow rate up to 160 l/min



INSTALLATION, SERVICE AND MAINTENANCE MANUAL AND SAFETY INSTRUCTIONS



FZP039



FZP136

Please scan the QR codes to get updated electronic version of the related document.



Description

Technical data

Stainless steel high pressure filters

In-line

Maximum working pressure up to 42 Mpa (420 bar)
Flow rate up to 160 l/min

FZP is a range of stainless steel high pressure filter for protection of sensitive components in high pressure hydraulic systems placed in difficult environmental conditions.

They are directly connected to the lines of the system through the hydraulic fittings.

Available features:

- 1 1/4" female threaded connections, for a maximum flow rate of 160 l/min
- Fine filtration rating, to get a good cleanliness level into the system
- Bypass valve, to relieve excessive pressure drop across the filter media
- Low collapse filter element with external support "R", for filter element protection against the back pressure caused by the check valve or the reverse flow in filters provided with the bypass valve
- High collapse filter element with external support "S", for filter element protection against the back pressure caused by the check valve or the reverse flow in filters not provided with the bypass valve
- High collapse filter element "U", for use with aggressive fluids
- Visual, electrical and electronic differential clogging indicators

Common applications:

- Off-shore equipment
- Water filtration systems
- Systems with strong or corrosive environmental conditions
- Systems with corrosive fluids

Filter housing materials

- Head: AISI 316L
- Housing: AISI 316L
- Bypass valve: AISI 316L

Seals

- Standard NBR series A (-25 °C to +110 °C)
- Optional FPM series V (-20 °C to +120 °C)
- Optional MFQ series F (-50 °C to +120 °C)

Bypass valve

Opening pressure 6 bar \pm 10%

Temperature

From -50 °C to +120 °C

Note

FZP filters are provided for vertical mounting

Δp element type

Fluid flow through the filter element from OUT to IN

Microfibre filter elements - series R: 20 bar.

Element series "R":

- End cap: Polyamide
- Core tube: Tinned steel
- External/Internal support: Wire mesh Epox painted
- Media/Support/Pre-filter: Microfibre/Syntetic

Microfibre filter elements - series S: 210 bar.

Element series "S":

- End cap: Tinned steel
- Core tube: Tinned steel
- External support: Wire mesh Epox painted
- Internal support: Wire mesh Stainless steel
- Media/Support/Pre-filter: Microfibre/Syntetic

Stainless Steel Microfibre filter elements series U: 210 bar.

Element series "U":

- End cap: Stainless steel
- Core tube: Stainless steel
- External support: Stainless steel
- Internal support: Stainless steel
- Media/Support/Pre-filter: Microfibre/Syntetic

Weights [kg] and volumes [dm³]

Filter series	Weights [kg]				Volumes [dm ³]					
	Length	1	2	3	4	Length	1	2	3	4
FZP 039	-	-	4.5	5.1	5.6	-	-	0.19	0.26	0.34
FZP 136	8.3	8.3	10.2	11.5	-	0.45	0.78	1.00	-	-

Filter series	Length	Filter element design - R Series					Filter element design - S-U Series				
		A03	A06	A10	A16	A25	A03	A06	A10	A16	A25
FZP 039	2	19	25	43	50	59	19	23	41	45	55
	3	34	37	53	62	74	31	34	48	52	66
	4	42	46	63	72	81	38	41	55	71	78
FZP 136	1	63	67	102	108	136	47	53	87	89	127
	2	95	100	122	123	159	81	95	113	115	138
	3	122	124	148	150	160	106	116	135	141	151

Maximum flow rate for a complete stainless steel high pressure filter with a pressure drop $\Delta p = 1.5$ bar.

The reference fluid has a kinematic viscosity of 30 mm²/s (cSt) and a density of 0.86 kg/dm³.

For different pressure drop or fluid viscosity we recommend to use our selection software available on www.mpfiltri.com.

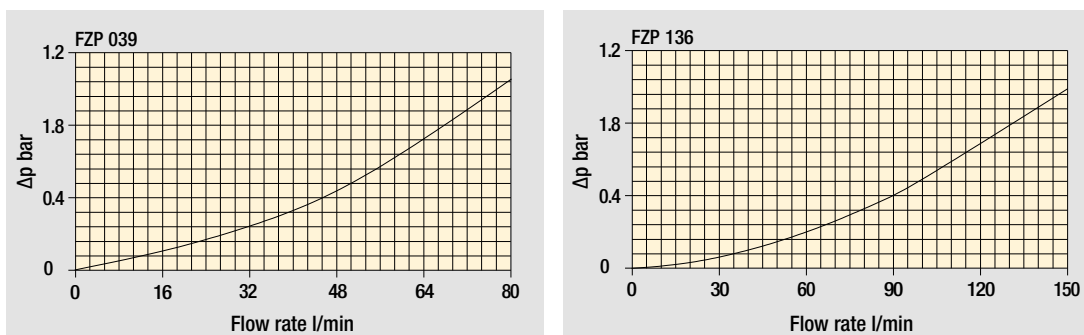
You can also calculate the right size using the formulas present on the FILTER SIZING paragraph at the beginning of the full catalogue or at the beginning of the filter family brochure. Please, contact our Sales Department for further additional information.

Hydraulic symbols

Filter series	Style S	Style B	Style T	Style D	Style V	Style Z
FZP 039	•	•	•	•	•	•
FZP 136	•	•	-	-	-	-

Pressure drop

Filter housings Δp pressure drop



The curves are plotted using mineral oil with density of 0.86 kg/dm³ in compliance with ISO 3968. Δp varies proportionally with density.

Designation & Ordering code

COMPLETE FILTER

Configuration example: **FZP039** | **2** | **B** | **F** | **B** | **2** | **A03** | **U** | **P01**

Series and size
FZP039

Length
2 | **3** | **4** |

Valves
S Without bypass
B With bypass 6 bar
T With check valve, without bypass
D With check valve, with bypass 6 bar
V With reverse flow, without bypass
Z With reverse flow, with bypass 6 bar

Seals
A NBR
V FPM
F MFQ

Connections
A G 1/2"
B 1/2" NPT
C SAE 8 - 3/4" - 16 UNF

Connections for differential pressure indicators
1 Without connection
2 With connection

Filtration rating (filter media)
A03 Inorganic microfiber 3 µm
A06 Inorganic microfiber 6 µm
A10 Inorganic microfiber 10 µm
A16 Inorganic microfiber 16 µm
A25 Inorganic microfiber 25 µm

Element Δp	Valves						Execution
	S	B	T	D	V	Z	
R 20 bar	-	•	-	•	-	•	P01 MP Filtri standard
S 210 bar	•	-	•	-	•	-	Pxx Customized
U 210 bar, stainless steel filter element	•	•	•	•	•	•	

FILTER ELEMENT

Configuration example: **HP039** | **2** | **A03** | **F** | **U** | **P01**

Element series and size
HP039

Element length
2 | **3** | **4** |

Filtration rating (filter media)
A03 Inorganic microfiber 3 µm
A06 Inorganic microfiber 6 µm
A10 Inorganic microfiber 10 µm
A16 Inorganic microfiber 16 µm
A25 Inorganic microfiber 25 µm

Seals	Element Δp	Valves						Execution
		S	B	T	D	V	Z	
A NBR	R 20 bar	-	•	-	•	-	•	P01 MP Filtri standard
V FPM	S 210 bar	•	-	•	-	•	-	Pxx Customized
F MFQ	U 210 bar, stainless steel filter element	•	•	•	•	•	•	

CLOGGING INDICATORS

See page 718

DEX Electrical differential pressure indicator
DLX Electrical/visual differential pressure indicator

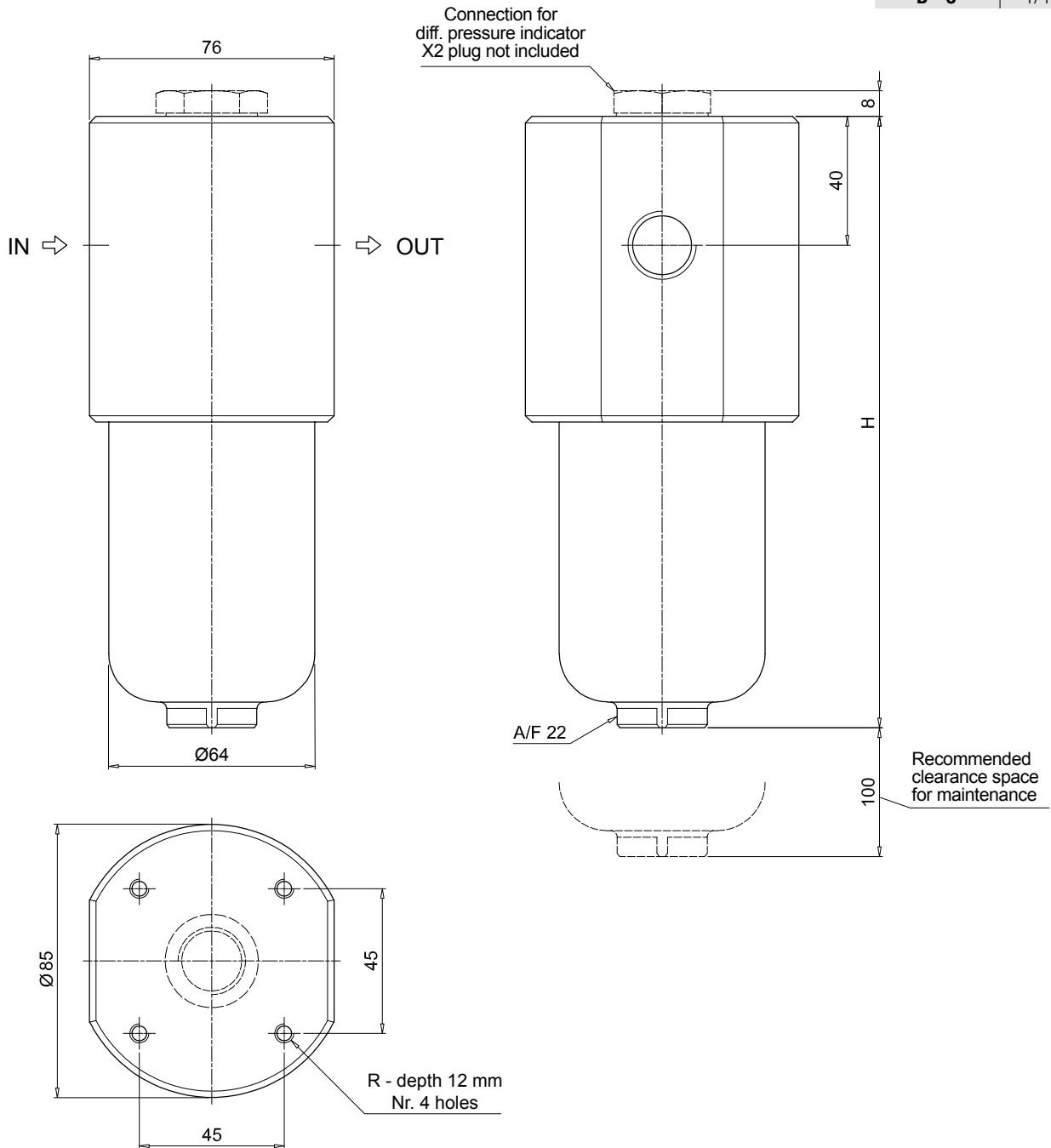
DVX Visual differential pressure indicator
DVY Visual differential pressure indicator

PLUGS

See page 737

X2 Stainless steel plug (not included)

FZP039	
Filter length	H [mm]
2	179
3	222
4	266
Connections	R
A	M6
B - C	1/4" UNC



Designation & Ordering code

COMPLETE FILTER

Configuration example: **FZP136** | **1** | **B** | **A** | **B** | **6** | **A03** | **R** | **P01**

Series and size
FZP136

Length
1 | **2** | **3**

Bypass valve
S Without bypass
B With bypass 6 bar

Seals
A NBR
V FPM
F MFQ

Connections
A G 3/4"
B 3/4" NPT
C SAE 12 - 1 1/16" - 12 UN
D G 1"
E 1" NPT
F SAE 16 - 1 5/16" - 12 UN
G G 1 1/4"
H 1 1/4" NPT
I SAE 20 - 1 5/8" - 12 UN

Connections for differential pressure indicators
1 Without connection
6 With two connections on both sides

Filtration rating (filter media)
A03 Inorganic microfiber 3 µm
A06 Inorganic microfiber 6 µm
A10 Inorganic microfiber 10 µm
A16 Inorganic microfiber 16 µm
A25 Inorganic microfiber 25 µm

Element Δp	Valves		Execution
	S	B	
R 20 bar	-	•	P01 MP Filtri standard
S 210 bar	•	-	Pxx Customized
U 210 bar, stainless steel filter element	•	•	

FILTER ELEMENT

Configuration example: **HP135** | **1** | **A03** | **A** | **R** | **P01**

Element series and size
HP135

Element length
1 | **2** | **3**

Filtration rating (filter media)
A03 Inorganic microfiber 3 µm
A06 Inorganic microfiber 6 µm
A10 Inorganic microfiber 10 µm
A16 Inorganic microfiber 16 µm
A25 Inorganic microfiber 25 µm

Element Δp	Valves		Execution
	S	B	
R 20 bar	-	•	P01 MP Filtri standard
S 210 bar	•	-	Pxx Customized
U 210 bar, stainless steel filter element	•	•	

CLOGGING INDICATORS

See page 718

DEX Electrical differential pressure indicator

DLX Electrical/visual differential pressure indicator

DVX Visual differential pressure indicator

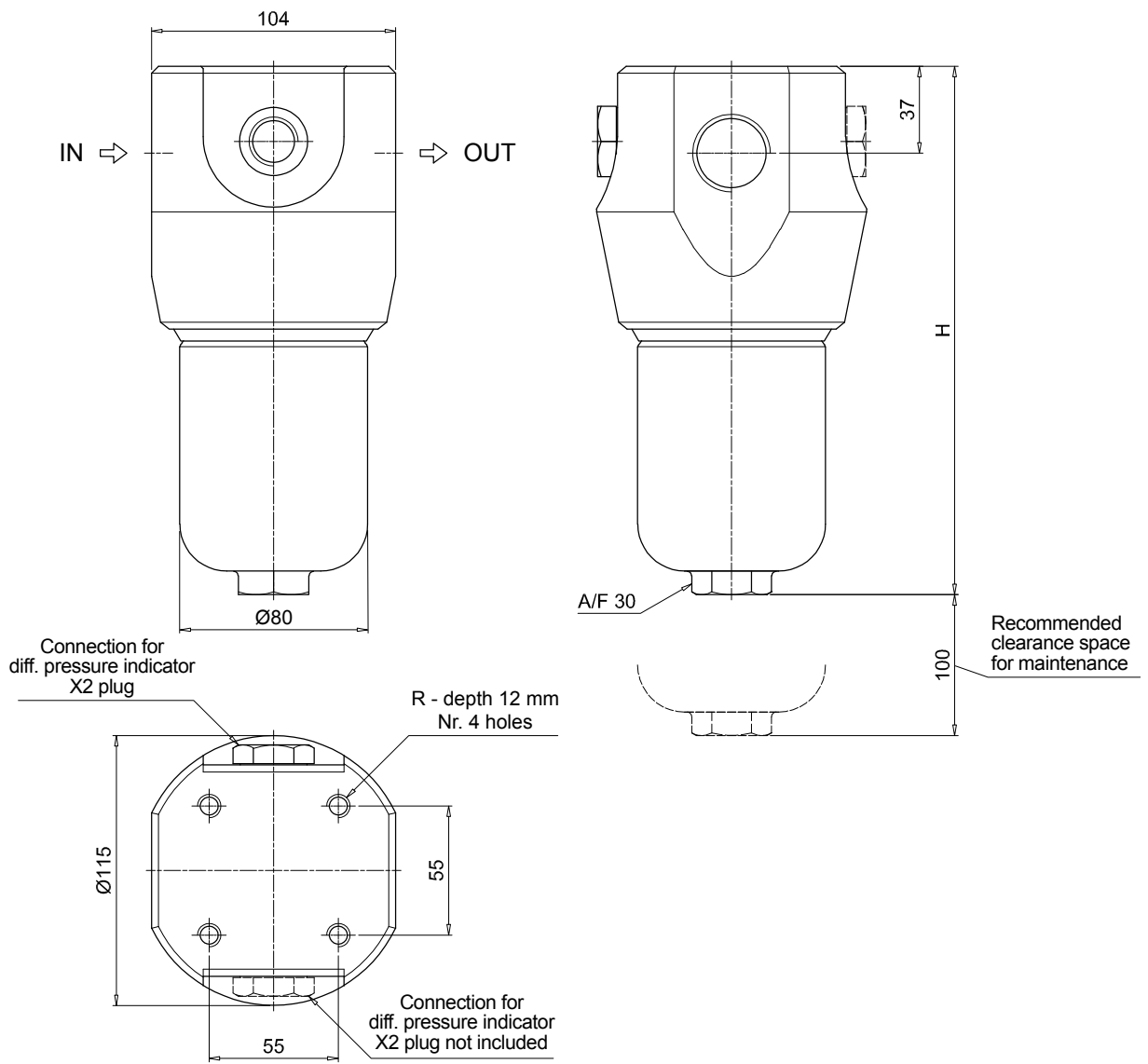
DVY Visual differential pressure indicator

PLUGS

See page 737

X2 Stainless steel plug (not included)

FZP136	
Filter length	H [mm]
1	222
2	335
3	410
Connections	R
A	M10
B - C	3/8" UNC
D	M10
E - F	3/8" UNC
G	M10
H - I	3/8" UNC



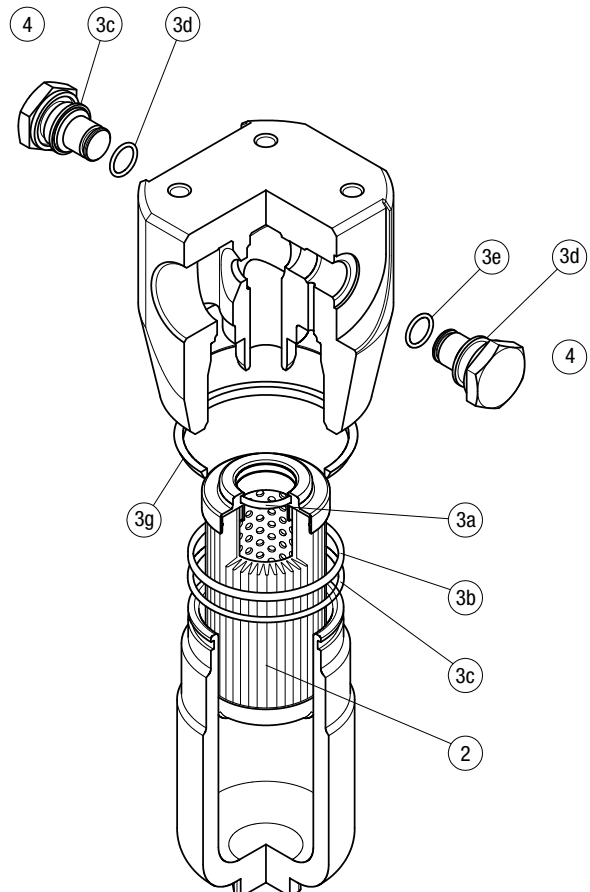
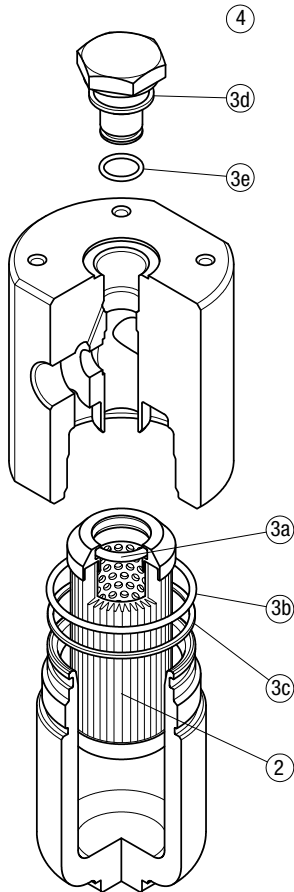
The position of the X2 plug is reversible

FZP SPARE PARTS

Order number for spare parts

FZP 039

FZP 136



Item:	Q.ty: 1 pc.		Q.ty: 1 pc.		Q.ty: 1 pc.	
Filter series	Filter element	Seal Kit code number		Indicator connection plug		
FZP 039	See order table	NBR	FPM	NBR	FPM	
		02050299	02050300	X2H	X2V	
FZP 136		02050636	02050637			

