

Accessories

NYLON EXTENSION TUBE

H1 - Total length immersed in the tank

Configuration example: **TE** **40** **A** **250**

| Series | Size | Material | Length | H [mm] |
|-----------|------|----------|------------|--------|
| TE | | | 200 | 200 |
| | | | 250 | 250 |
| | | | 300 | 300 |
| | | | 350 | 350 |
| | | | 400 | 400 |
| | | | 450 | 450 |
| | | | 500 | 500 |

| Size | Ø D [mm] | Material |
|-----------|----------|----------------|
| 25 | 25 | A Nylon |
| 32 | 32 | |
| 40 | 40 | |

| COMPATIBILITY TABLE | | | | | | | | | | | | | | | | | | |
|---------------------|-------------|-----|-----|---------------|-------------|------|------|-----|-----|-----|-----|-----|-----|-----|-----|-----|-----|-----|
| Filter series | Filter size | | | Filter length | Tube length | | | | | | | | | | | | | |
| | | | | | TE25 | TE32 | TE40 | 200 | 250 | 300 | 350 | 400 | 450 | 500 | | | | |
| MPF - MPFX | 30 | | | 1 | • | | | | 266 | 316 | 366 | 416 | 466 | 516 | 566 | | | |
| MPF | 100 | 104 | 110 | 1 | | • | | | 275 | 325 | 375 | 425 | 475 | 525 | 575 | | | |
| | | | | 2 | | | | | 322 | 372 | 422 | 472 | 522 | 572 | 622 | | | |
| | | | | 3 | | | • | | | 400 | 450 | 500 | 550 | 600 | 650 | 700 | | |
| | | | | 4 | | | | | | 502 | 552 | 602 | 652 | 702 | 752 | 802 | | |
| MPFX | 100 | 104 | 110 | 1 | | | | | 277 | 327 | 377 | 427 | 477 | 527 | 577 | | | |
| | | | | 2 | | | • | | | 322 | 372 | 422 | 472 | 522 | 572 | 622 | | |
| | | | | 3 | | | | | | 400 | 450 | 500 | 550 | 600 | 650 | 700 | | |
| | | | | 4 | | | | | | 502 | 552 | 602 | 652 | 702 | 752 | 802 | | |
| MPF MPFX | 181 | 182 | 184 | 1 | | | | | 410 | 460 | 510 | 560 | 610 | 660 | 710 | | | |
| | | | | 2 | | | • | | | 623 | 673 | 723 | 773 | 823 | 873 | 923 | | |
| MPT MPTX | 025 | | 027 | | 1 | | | | 278 | 328 | 378 | 428 | 478 | 528 | 578 | | | |
| | | | | | 2 | • | | | | 342 | 392 | 442 | 492 | 542 | 592 | 642 | | |
| | | | | | 3 | | | | | 380 | 430 | 480 | 530 | 580 | 630 | 680 | | |
| MPT | 101 | 104 | 110 | 114 | 120 | 1 | | | | 273 | 323 | 373 | 423 | 473 | 523 | 573 | | |
| | | | | | | 2 | | | | | 320 | 370 | 420 | 470 | 520 | 570 | 620 | |
| | | | | | | 3 | | | | | | 396 | 446 | 496 | 546 | 596 | 646 | 696 |
| | | | | | | 4 | | | | • | | 498 | 548 | 598 | 648 | 698 | 748 | 798 |
| MPTX | 101 | 104 | 110 | 114 | 120 | 1 | | | | 273 | 323 | 373 | 423 | 473 | 523 | 573 | | |
| | | | | | | 2 | | | | | | 318 | 368 | 418 | 468 | 518 | 568 | 618 |
| | | | | | | 3 | | | | • | | 396 | 446 | 496 | 546 | 596 | 646 | 696 |
| | | | | | | 4 | | | | | | 498 | 548 | 598 | 648 | 698 | 748 | 798 |

STEEL EXTENSION TUBE

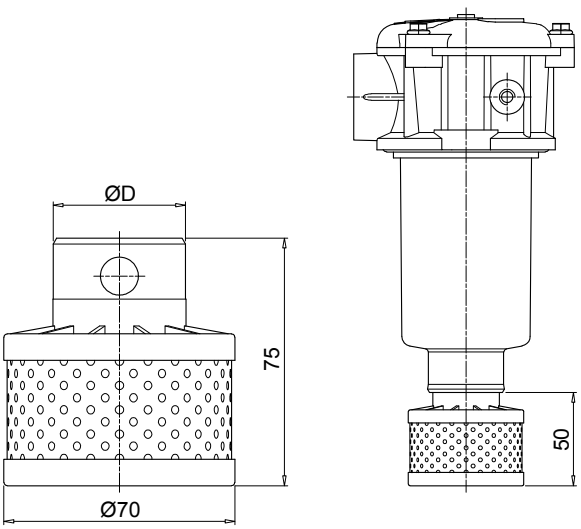
H1 - Total length immersed in the tank

Configuration example: **MPF191** **2** **A** **F1** **A10** **H** **B** **S60**

| Length | H1 [mm] |
|------------|---------|
| S30 | 300 |
| S35 | 350 |
| S40 | 400 |
| S45 | 450 |
| S50 | 500 |
| S60 | 600 |
| S70 | 700 |
| S80 | 800 |
| S90 | 900 |

| COMPATIBILITY TABLE | | | | | | | |
|---------------------|-------------|-----|-----|---------------|----------|----|---|
| Filter series | Filter size | | | Filter length | Ø D [mm] | | |
| | | | | | 52 | 65 | |
| MPF | 191 | 192 | 194 | 2 | • | | |
| | | | | 1 | • | | |
| | 400 | 410 | 450 | 451 | 2 | | • |
| | | | | | 3 | | |
| | | 750 | | | 1 | | • |

DIFFUSER WITH FAST LOCK CONNECTION



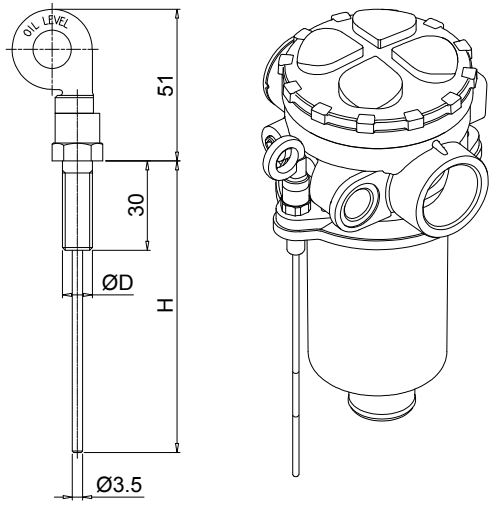
Configuration example: **DFS 32 A 075**

| Series | | DFS |
|-----------|----------|------------|
| Size | | 32 |
| Size | ø D [mm] | 32 |
| 40 | 40 | |

| Version | | A | Standard |
|---------|--|------------|----------|
| Length | | 075 | Standard |

| COMPATIBILITY TABLE | | | | | | | | |
|---------------------|-------------|-----|-----|---------------|-------|-------|---|---|
| Filter series | Filter size | | | Filter Length | DFS32 | DFS40 | | |
| MPF | 100 | 104 | 110 | 1 | • | | | |
| | | | | 2 | | | | |
| | | | | 3 | | • | | |
| | | | | 4 | | | | |
| MPFX | 100 | 104 | 110 | 1 | | • | | |
| | | | | 2 | | • | | |
| | | | | 3 | | | | |
| | | | | 4 | | | | |
| MPT | 101 | 104 | 110 | 114 | 120 | 1 | • | |
| | | | | | | 2 | | |
| | | | | | | 3 | | |
| | | | | | | 4 | | • |
| MPTX | 101 | 104 | 110 | 114 | 120 | 1 | | • |
| | | | | | | 2 | | • |
| | | | | | | 3 | | |
| | | | | | | 4 | | |

DIPSTICK



Configuration example: **DPT 20 M10 A P01**

| Series | | DPT |
|-----------|--------|------------|
| Length | H [mm] | 20 |
| 15 | 134 | |
| 20 | 184 | |
| 25 | 234 | |
| 30 | 284 | |
| 35 | 334 | |

Materials:
 - Screw: phosphatized steel
 - Stick: phosphatized steel
 - Handle: Nylon

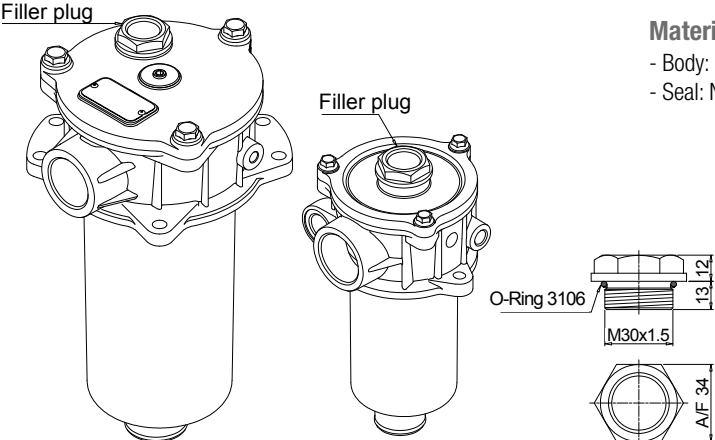
Technical data:
 Working temperature: from -25 °C to +110 °C

| Fastening | | M8 | Fastening with screws ø D = M8 |
|-----------|--|------------|---------------------------------|
| | | M10 | Fastening with screws ø D = M10 |

| Seals | | A | NBR |
|-------|--|----------|-----|
| | | V | FPM |

| Execution | | P01 | MP Filtri standard |
|-----------|--|------------|--------------------|
| | | Pxx | Customized |

FILLER PLUG



Materials:
 - Body: Nylon
 - Seal: NBR

Technical data:
 Tightening torque: 15 N·m

For any further information, please, contact our commercial dept.