

MPLX series

Maximum working pressure up to 1 MPa (10 bar) - Flow rate up to 1800 l/min



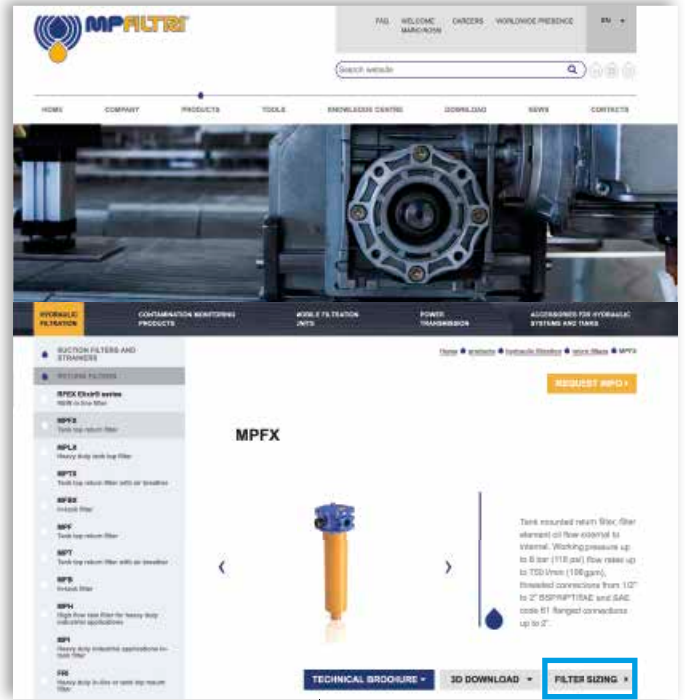
TYPICAL FILTER SIZING Selection Software

Step ①

Select "FILTER SIZING SOFTWARE" after login

OR

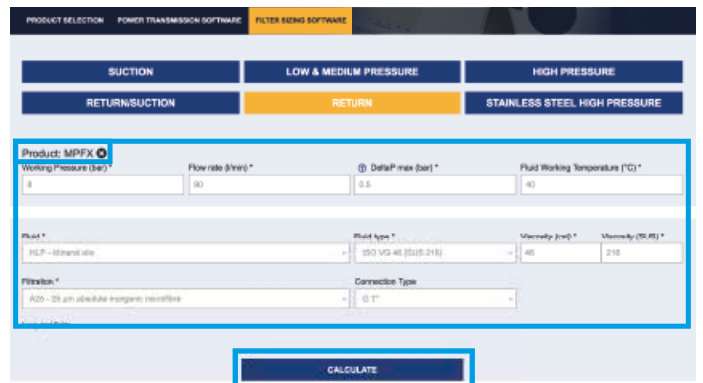
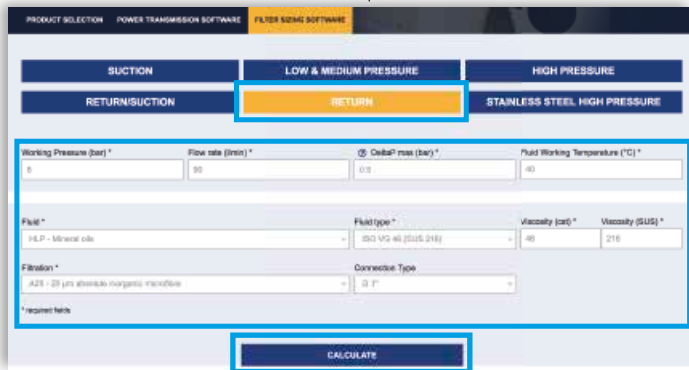
Select "FILTER SIZING" after login from a product page



Choose the type of filter family.
Enter the main data for sizing the filter
then push CALCULATE.

Step ②

Enter the main data for sizing the filter
then push CALCULATE.



Step ③

Select the desired options to choose the appropriate filter type for the application.

Working Pressure: 8 (bar) | Fluid: HLP | Flow rate: 90 (l/min) | Fluid type: ISO VG 46 (SUS 216) | DP max of the project: 0.5 (bar) | Seal: A - NBR | Working Temperature: 40 (°C) | Optional seals: V - FPM | Filtration: 25 µm absolute inorganic microfibre | Working Temperature with options: -20 + 110 (°C) | Connection Type: G 1" | Viscosity: 46 (cst) - 216 (SUS)

Filter type: MPFX: Tank top mounting - (Pmax 1 - B: 1.75 bar (Systems) | Seal: A - NBR | **Option1:** Single or duplex | **DIN Standard:** NOT APPLICABLE | **Indicator:** Visual

Image	Code	Press	Qmax	DP	Housing DP	Element DP	Connection	Seal	Link			
		bar	psi	l/min	bar	psi	bar	psi				
	MPFX-100-3-A-G3-A25-HBP51	8	116	25.74	25.3	0.47	7	0.12	2	G 1"	A	Adjustment Report
	MPFX-120-3-A-G3-A25-HBP51	8	118	68.74	25.3	0.47	7	0.12	2	G 1"	A	Adjustment Report

Step 4

Choose the most suitable filter from the proposed list.

Image	Code	Peak bar	Qmax psi	Qmax m³/min	Qmax gpm us	AP bar	AP psi	Housing AP bar	Housing AP psi	Element AP bar	Element AP psi	Connection	Seal	Link
	MPFX-103-3-A-Q3-A25-H-BPFI	8	116	25.74	25.3	0.47	7	0.12	2	0.33	5	G 1"	A	
	MPFX-104-3-A-Q3-A25-H-BPFI	8	116	25.74	25.3	0.47	7	0.12	2	0.33	5	G 1"	A	

Step 5

It is possible to change the filter modifying every parameter.



A SAVE YOUR FILTER'S REPORT



B MANUAL EDIT



SAVE IN YOUR ARCHIVE
typing your reference data and then SAVE AS PDF



A new browser window displays the pdf

see **A**

Close the report window



By clicking your WELCOME button, the SHOW REPORTS is displayed: select it to see your filters list.



THE NEW FILTER CONCEPT

MPFX
MPLX
MPTX
MFBX
MFX
series

NEW FILTER ELEMENT WITH EXCLUSIVE INTERFACE CONNECTION

- **Protects the machine from improper use of non-original products.**
- **Safety of constant quality protection & reliability**

With exclusive filter element you are sure that only MP Filtri filter elements can be used, ensuring the best cleaning level of the oil due to the use of originals filter elements.



Filter element featuring our UNIQUE end cap with polygonal design.



UNIQUE polygonal spigot fitting within the filter bowl.

The products identified as MPFX, MPLX, MPTX, MFBX and MFX are protected by:

Italian Patent n° 102014902261205

Canadian Patent n° 2,937,258

and by the following patent applications:

European Patent n° 16181725.9

US Patent Pending n° 15/224,337

Description

Technical data

Return filter

Maximum working pressure up to 1 MPa (10 bar)
Flow rate up to 1800 l/min

MPLX is a range of return filters for protection of the reservoir against the system contamination.

Completely interchangeable with Pall 8420 & 8520, they are directly fixed to the reservoir, in immersed or semi-immersed position.

The use of the diffuser is recommended, to place the filter output always immersed into the fluid to avoid aeration or foam generation into the reservoir.

The filter output must be always immersed into the fluid to avoid aeration or foam generation into the reservoir.

Available features:

- Flanged connections up to 3", for a maximum flow rate of 1800 l/min
- Fine filtration rating, to get a good cleanliness level into the reservoir
- Bypass valve, to relieve excessive pressure drop across the filter media
- 6 fixing holes for installation, to suit a variety of reservoir surfaces
- Diffuser, to reduce the risk of aeration, foaming and noise
- Filler plug, to fill cleaned fluid into the tank without an additional connection
- Visual, electrical and electronic differential clogging indicators

Common applications:

- Heavy duty industrial equipment
- Heavy duty mobile equipment

Filter housing materials

- Head: Anodized aluminium
- Cover: Anodized aluminium
- Bowl: Phosphatized steel
- Bypass valve: Steel

Bypass valve

- Opening pressure 450 kPa (4.5 bar) $\pm 10\%$

Δp element type

- Microfiber filter elements: 10 bar
- Fluid flow through the filter element from OUT to IN.

Seals

- Standard NBR series A
- Optional FPM series V

Temperature

From -25 °C to +110 °C

Note

MPLX filters are provided for vertical mounting



Weights [kg] and volumes [dm³]

Filter series	Weights [kg]		Volumes [dm ³]	
	Length	2	Length	2
MPLX 250		8.95		2.90
MPLX 660		20.20		11.00

Filter series	Length	Filter element design - N Series						
		A03	A06	A10	A16	A25	M25 M60 M90	P10 P25
MPLX 250	2	157	155	281	312	325	583	392
MPLX 660	2	376	384	820	925	1018	1732	1332

Maximum flow rate for a complete return filter with a pressure drop $\Delta p = 0.5$ bar.

The reference fluid has a kinematic viscosity of 30 mm²/s (cSt) and a density of 0.86 kg/dm³.

For different pressure drop or fluid viscosity we recommend to use our selection software available on www.mpfiltri.com.

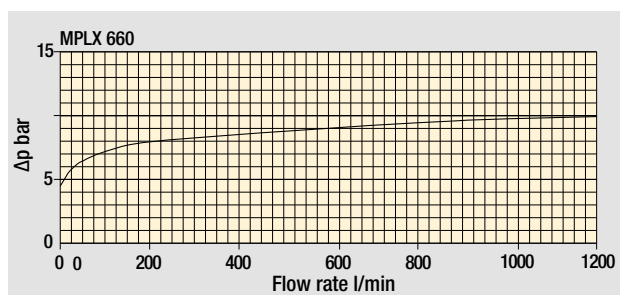
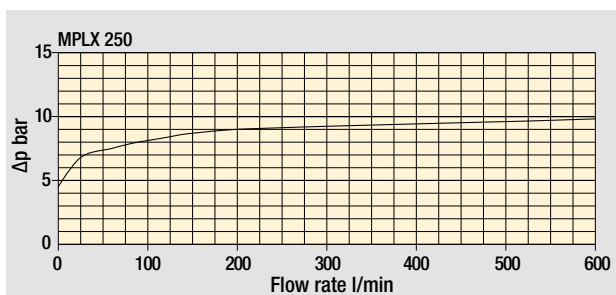
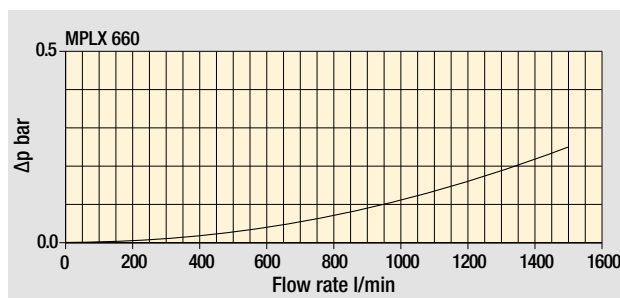
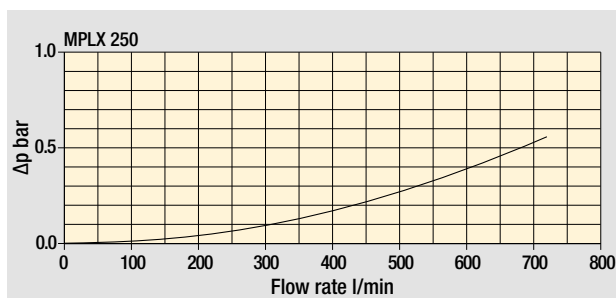
You can also calculate the right size using the formulas present on the FILTER SIZING paragraph at the beginning of the full catalogue or at the beginning of the filter family brochure. Please, contact our Sales Department for further additional information.

Hydraulic symbols

Filter series	Style 1 connection + Diff. indic.
MPLX 250	●
MPLX 660	●

Pressure drop

Filter housings
 Δp pressure drop



Bypass valve
pressure drop

The curves are plotted using mineral oil with density of 0.86 kg/dm³ in compliance with ISO 3968. Δp varies proportionally with density.

MPLX MPLX250 - MPLX660

Designation & Ordering code

COMPLETE FILTER

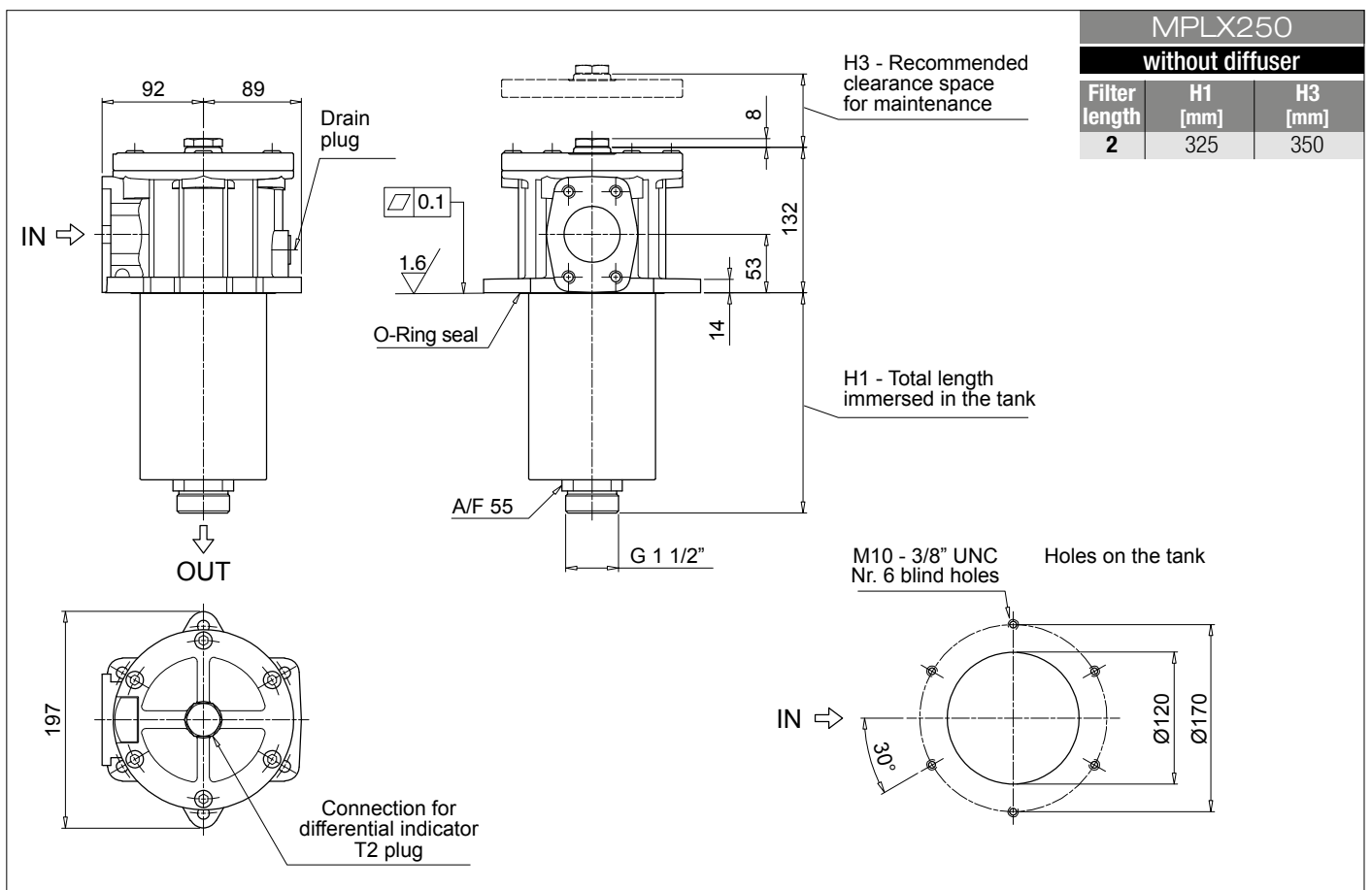
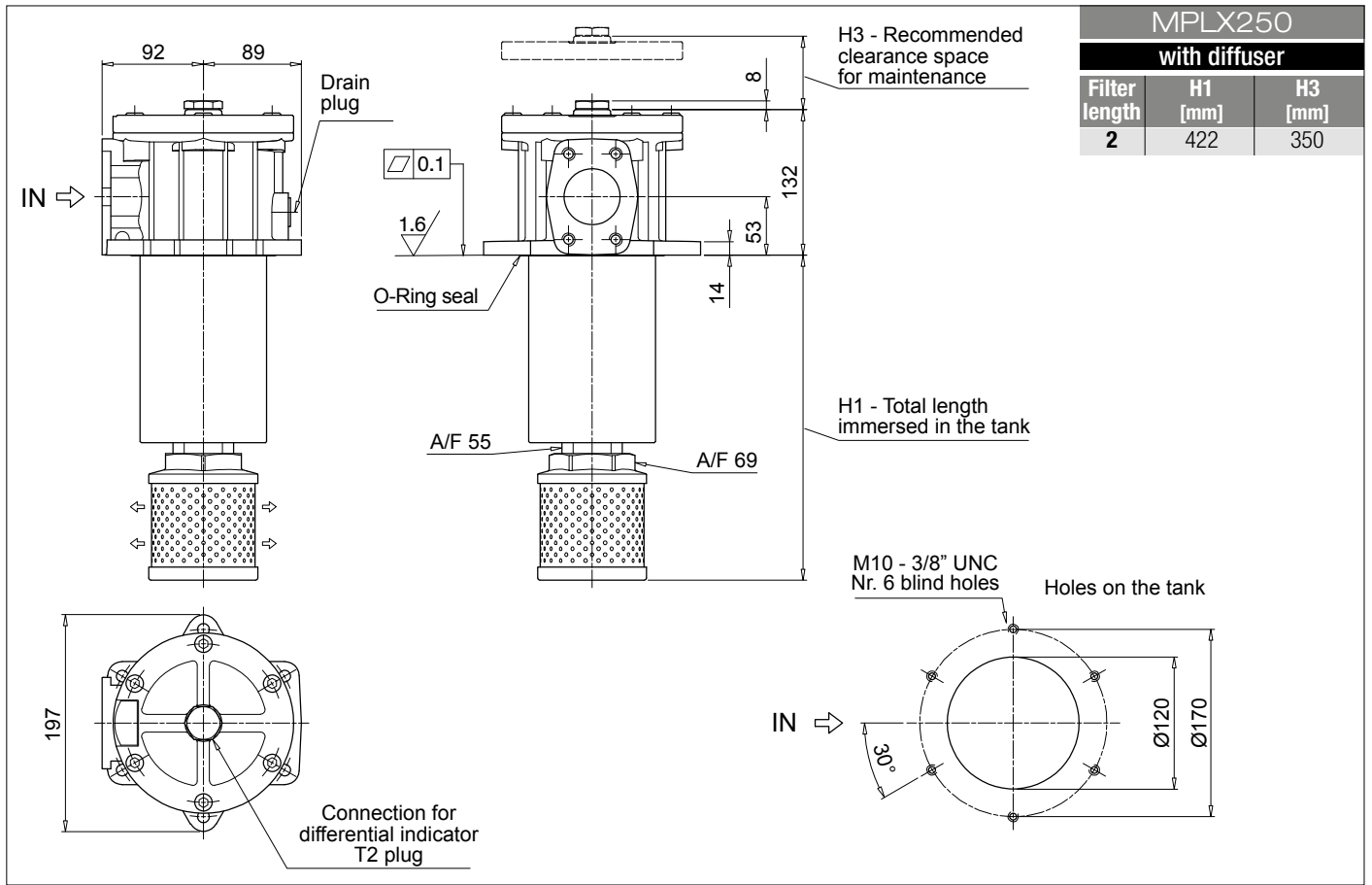
Series and size	Configuration example 1: MPLX250 2 D S W A 6 M25 P01									
MPLX250 Filter element with private spigot	Configuration example 2: MPLX660 2 D D A B 6 A10 P01									
MPLX660 Filter element with private spigot										
Length	2									
By-pass valve	D 4.5 bar									
Diffuser	S Without diffuser D With standard diffuser									
Seals and treatments	Filtration rating									
	Axx	Mxx	Pxx							
A NBR	•	•	•							
V FPM	•	•	•							
W NBR filter element compatible with fluids HFA-HFB-HFC	•	•								
Z FPM	•	•								
Connections	MPLX250		MPLX660							
A	2" SAE 3000 psi/M		3" SAE 3000 psi/M							
B	2" SAE 3000 psi/UNC		3" SAE 3000 psi/UNC							
Connection for differential indicator	6 With plugged connection									
Filtration rating (filter media)										
A03 Inorganic microfiber 3 µm	M25 Wire mesh 25 µm									
A06 Inorganic microfiber 6 µm	M60 Wire mesh 60 µm									
A10 Inorganic microfiber 10 µm	M90 Wire mesh 90 µm									
A16 Inorganic microfiber 16 µm	P10 Resin impregnated paper 10 µm									
A25 Inorganic microfiber 25 µm	P25 Resin impregnated paper 25 µm									
			Execution							
			P01 MP Filtri standard							
			Pxx Customized							

FILTER ELEMENT

Element series and size	Configuration example 1: MLX250 2 M25 W P01				
MLX250 Filter element with private spigot	Configuration example 2: MLX660 2 A10 A P01				
MLX660 Filter element with private spigot					
Element length	2				
Filtration rating (filter media)					
A03 Inorganic microfiber 3 µm	M25 Wire mesh 25 µm				
A06 Inorganic microfiber 6 µm	M60 Wire mesh 60 µm				
A10 Inorganic microfiber 10 µm	M90 Wire mesh 90 µm				
A16 Inorganic microfiber 16 µm	P10 Resin impregnated paper 10 µm				
A25 Inorganic microfiber 25 µm	P25 Resin impregnated paper 25 µm				
Seals and treatments	Filtration rating				
	Axx	Mxx	Pxx		
A NBR	•	•	•		
V FPM	•	•	•		
W NBR filter element compatible with fluids HFA-HFB-HFC	•	•			
Z FPM	•	•			
			Execution		
			P01 MP Filtri standard		
			Pxx Customized		

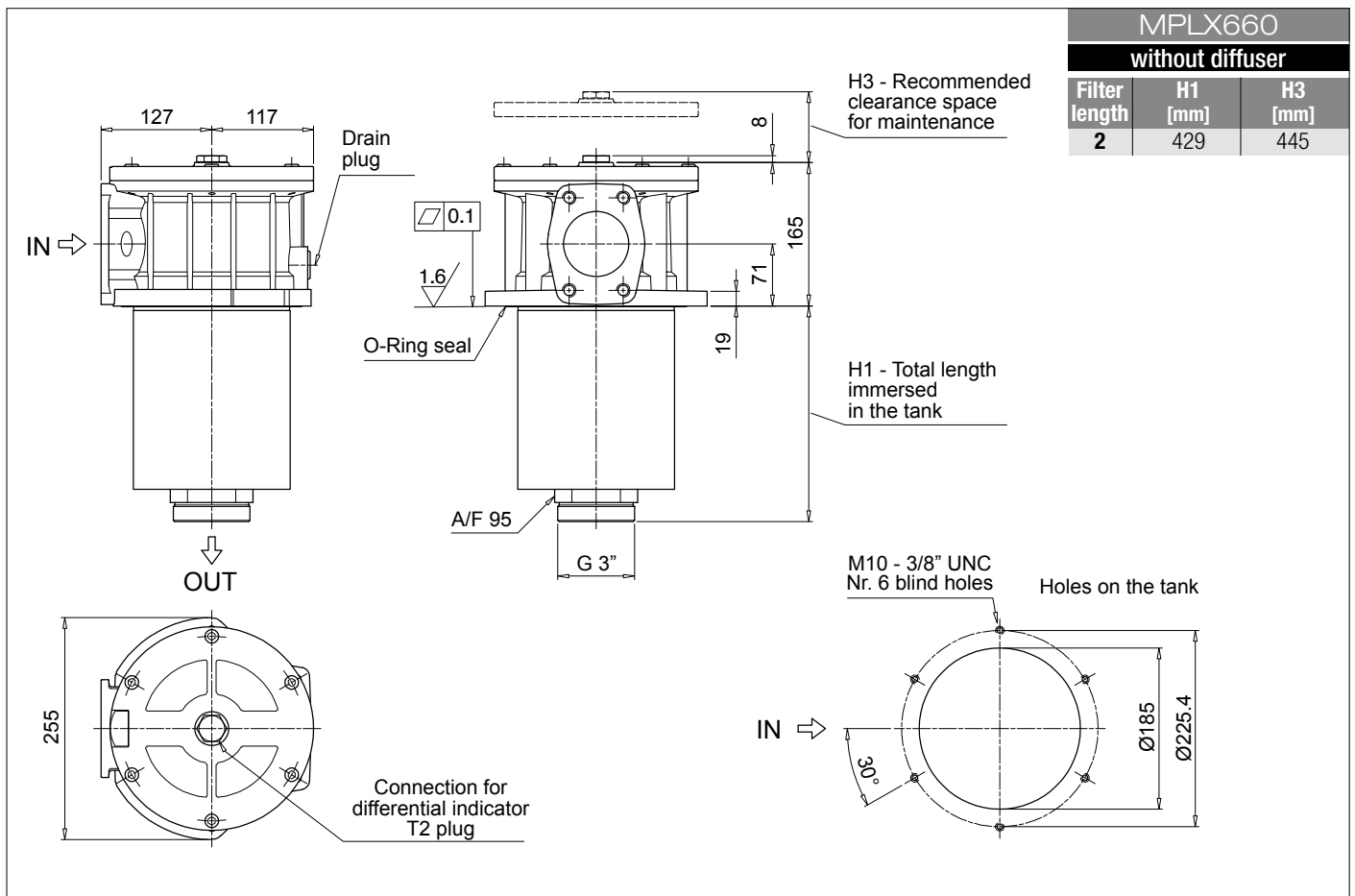
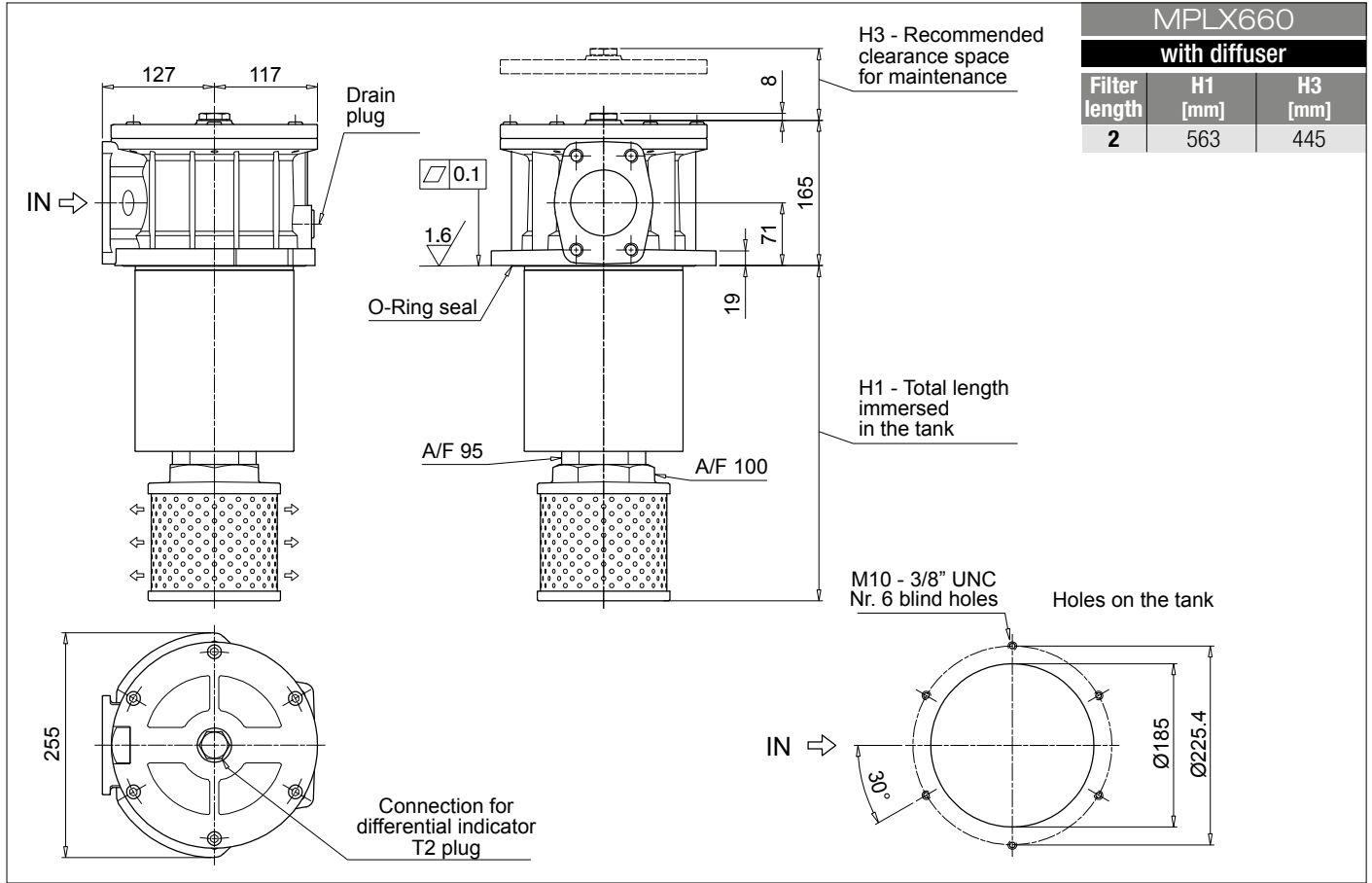
ACCESSORIES

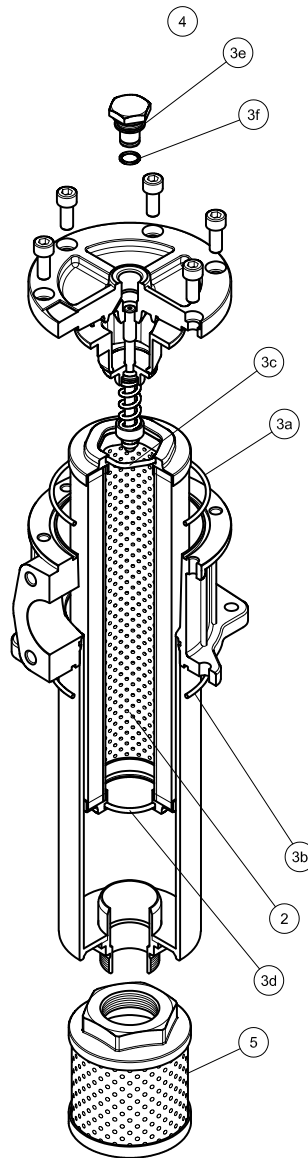
Indicators					
DEA Electrical differential indicator	242	DTA Electronic differential indicator	245		
DEM Electrical differential indicator	242-243	DVA Visual differential indicator	245		
DLA Electrical / visual differential indicator	243-244	DVM Visual differential indicator	245		
DLE Electrical / visual differential indicator	244				
Additional features					
T2 Plug	246				



MPLX MPLX660

Dimensions





Item:	Q.ty: 1 pc.	Q.ty: 1 pc.		Q.ty: 1 pc.		Q.ty: 1 pc.
Filter series	Filter element	Seal Kit code number		Indicator connection plug		Diffuser
		NBR	FPM	NBR	FPM	
MPLX 250	See order table	02050745	02050746	T2H	T2V	STD 100 C 115 P01
MPLX 660	See order table	02050747	02050748			STD 150 E 155 P01