

LVK series

Electrical and visual oil level indicator



Technical data

Electrical Oil Level Indicators

LVK is a range of electrical and visual fluid level indicators for monitoring of the fluid level into the tank. They are directly fitted on the tank side. The float moves through the indicator housing while the fluid level changes.

Available features:

- Several male threaded connections
- Three different sizes, to meet every size of tank
- Thermometer, thermostat or PT100, to check the temperature of the fluid

Common applications:

- Hydraulic systems
- Mobile machines
- Industrial equipment

Electrical symbol:

see page. 118

Materials

- Head: Polyamide
- Screws: Nickel plated brass (standard), AISI 314 (optional)
- Seal: NBR (standard), FPM (optional)
- Float: Polyamide
- Sensor thermometer: Screw + thermometer

Temperature

From -20 °C to + 80 °C

Weight

| | |
|--------|----------|
| LVK 10 | 0.140 kg |
| LVK 20 | 0.170 kg |
| LVK 30 | 0.250 kg |



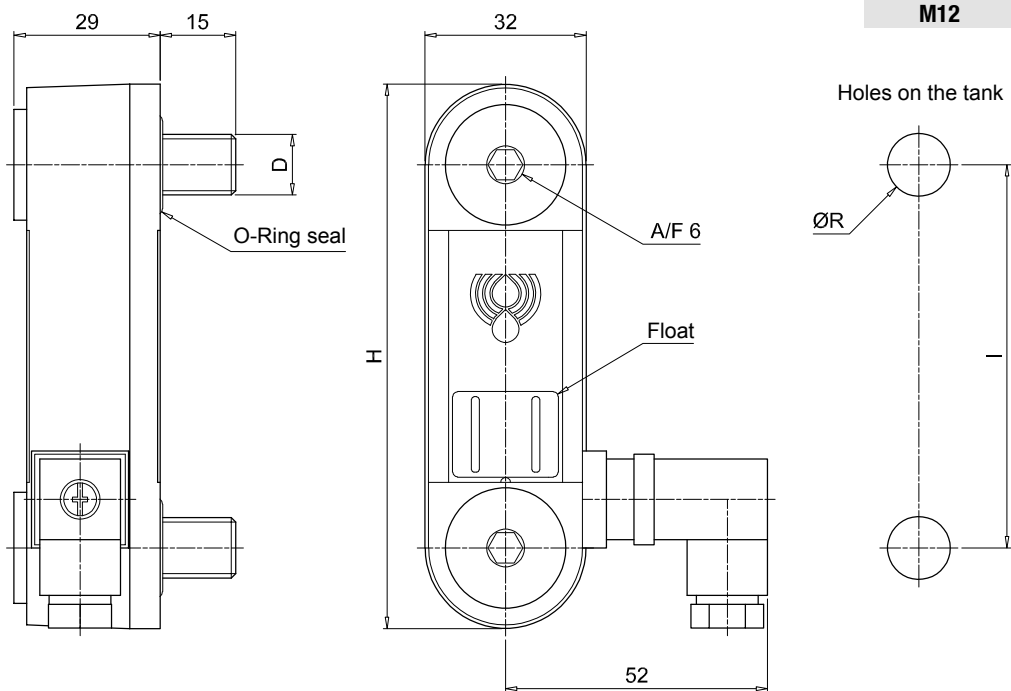
Designation & Ordering code

COMPLETE ELECTRICAL AND VISUAL OIL LEVEL INDICATORS

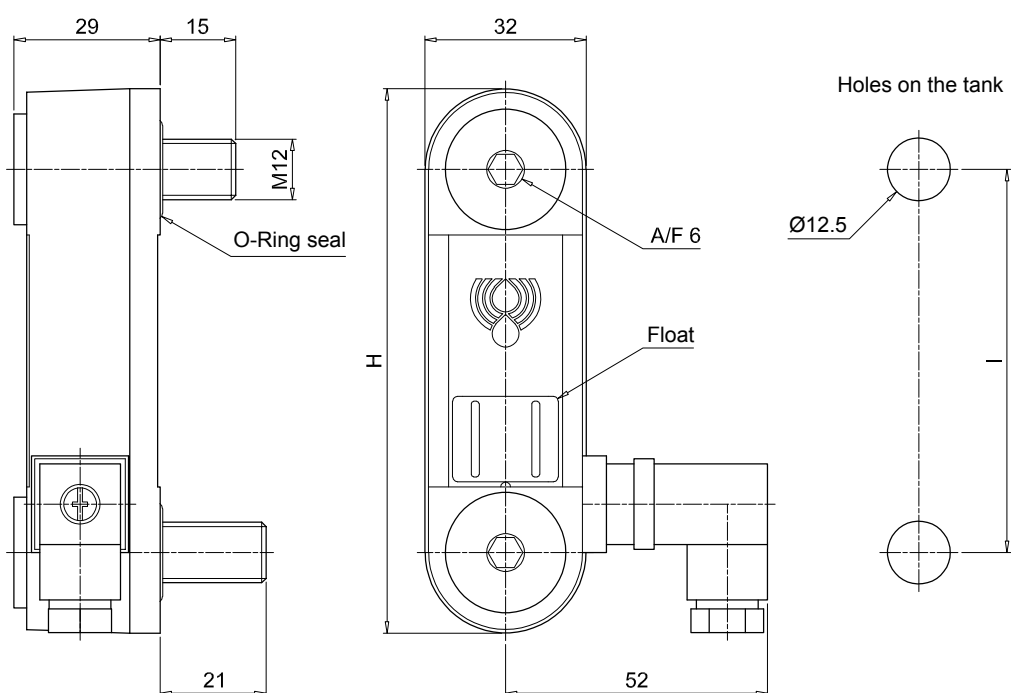
| Series | Configuration example : LVK 20 A M12 1 T 5 P01 | | | | | | | | |
|--|--|-------------------------------|-----|---|--|--|--|--|--|
| LVK | | | | | | | | | |
| Length | 10 20 30 | | | | | | | | |
| Seals | A NBR | | | | | | | | |
| Connections | M10 Screws M10 M12 Screws M12 | | | | | | | | |
| Electrical switch in absence of fluid | 1 N.O. (Normally Open) 2 N.C. (Normally Closed) 3 SPDT (single-pole, double throw) | | | | | | | | |
| Version | | Connection | | | | | | | |
| | | M10 | M12 | | | | | | |
| S Standard | | • | • | | | | | | |
| T With thermostat | | | • | | | | | | |
| P With PT100 sensor | | | • | | | | | | |
| Thermostat setting | | Version | | | | | | | |
| | | S | T | P | | | | | |
| S Standard (no setting) | | • | | • | | | | | |
| 1 50°C N.O. (Normally Open) | | | • | | | | | | |
| 2 60°C N.O. (Normally Open) | | | • | | | | | | |
| 3 70°C N.O. (Normally Open) | | | • | | | | | | |
| 5 50°C N.C. (Normally Closed) | | | • | | | | | | |
| 6 60°C N.C. (Normally Closed) | | | • | | | | | | |
| 7 70°C N.C. (Normally Closed) | | | • | | | | | | |
| | | Execution | | | | | | | |
| | | P01 MP Filtri standard | | | | | | | |
| | | Pxx Customized | | | | | | | |

| LVK | | |
|-------------|--------|---------|
| Size | H [mm] | I [mm] |
| 10 | 108 | 76 |
| 20 | 159 | 127 |
| 30 | 286 | 254 |
| Connections | D [mm] | ØR [mm] |
| M10 | M10 | 10.5 |
| M12 | M12 | 12.5 |

Without thermostat

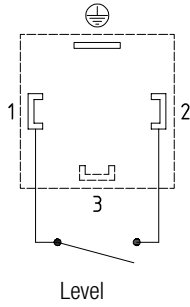


With thermostat

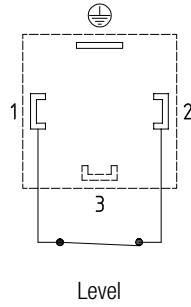


Electrical symbols

N.O.
(Normally Open)



N.C.
(Normally Closed)



SPDT
(single-pole, double-throw)

