

# TAP 114 series

Nylon oil filler and air breather filler cap



# TAP 114 GENERAL INFORMATION

## Technical data

### Air breathers & Filler plugs

#### Nylon oil filler and air breather filler cap Flow rate up to 1600 l/min

TAP114 is a range of plastic large air breathers and filler caps for protection of the tank against the solid contamination contained into the air and filling of the fluid into the systems during the commissioning and maintenance procedures.

They are usually directly fitted on the tank.

#### Available features:

- Flanged connection, for a maximum flow rate of 1600 l/min
- Replaceable filter element
- Fine cellulose filtration, to get a good cleanliness level into the reservoir
- Polyester media is an option for heavy environmental conditions (high humidity, sand ...)
- Filling basket, to hold the coarse contamination contained into the fluid and to diffuse the fluid flow into the tank
- Dipstick, to monitor the fluid level into the tank even in complicated positions

#### Common applications:

- Hydraulic systems
- Mobile machines
- Industrial equipment

#### Flow rate $\Delta p$ 0.02 bar

	Flow rate [l/min]
Filtration rating	L10
<b>TAP114 length 1</b>	1450
<b>TAP114 length 3</b>	1600

#### Materials

- Cover: Nylon
- Filter element: Resin impregnate paper
- Flange: Nylon
- Seals: NBR
- Screws: Galvanized steel
- Basket: Nylon

#### Temperature

From -25 °C to +100 °C

#### Weight

Length 1 - 0.185 kg  
Length 2 - 0.200 kg



## Designation & Ordering code

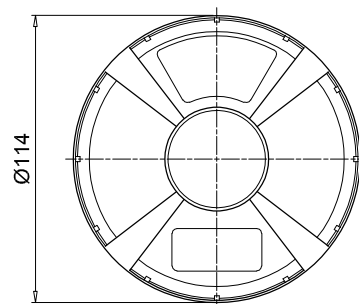
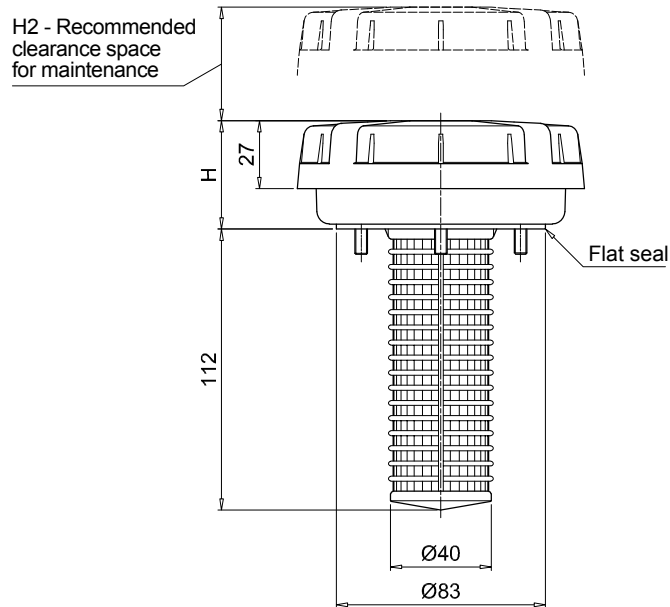
### COMPLETE BREATHER PLUG - TAP114

Series and size	Configuration example : TAP114 1 L10 A 1 P01					
<b>TAP114</b>						
Length	1	3				
Filtration rating	L10	Resin impregnate paper	10 µm			
Seals	A	NBR				
Version	1	With basket				
						<b>Execution</b>
						<b>P01</b> MP Filtri standard
						<b>Pxx</b> Customized

### FILTER ELEMENT

Filter element series and size	Configuration example : A114 1 L10 P01			
<b>A114</b>				
Length	1	3		
Filtration rating	L10	Resin impregnate paper	10 µm	
				<b>Execution</b>
				<b>P01</b> MP Filtri standard
				<b>Pxx</b> Customized

TAP114		
Length	H [mm]	H2 [mm]
<b>1</b>	43	30
<b>3</b>	58	45



Holes on the tank

