

Ball Valves



PASSION TO PERFORM



Technical Data

Applications

- Ball valves are used to open or close flow
- Can be opened or closed even under maximum pressure without allowing leakage

Installation

- Pressure flow and actuator are connected with valve ports

Operation

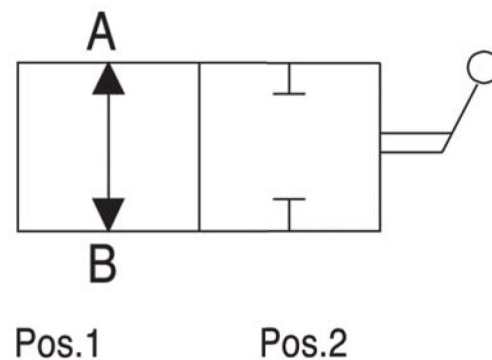
- Oil flows through valve when hand lever is in Pos. 1
- Flow stops when hand lever is in Pos. 2

> Standard Features

- Steel body
- Zinc plated
- No leakage
- Valve can turn under maximum pressure

Optional Features

- Chromium plated
- Green zinc plated
- Special hand lever
- Metric thread
- Male thread
- DIN 2353 fitting port thread



COMPLETE BALL VALVE

Valve Series
MPAP2V 2 way ball valve

Configuration Example 1:

Configuration Example 2:

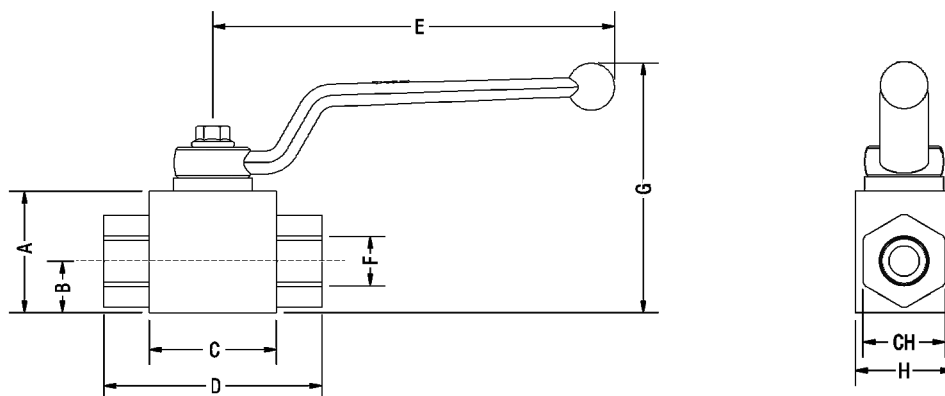
Valve Size	NPT / GAS		SAE	
	1/4"		-	
01	1/4"		-	
015	-		9/16 - 18 (SAE - 6)	
02	3/8"		3/4 - 16 (SAE - 8)	
03	1/2"		7/8 - 14 (SAE - 10)	
04	3/4"		1 1/16 - 12 (SAE -12)	
05	1"		1 5/6 - 12 (SAE - 16)	
06	1 1/4"		1 5/8 -12 (SAE - 20)	
07	1 1/2"		1 7/8 - 12 (SAE -24)	

Connection Type	
	Thread GAS
N	Thread NPT
S	Thread SAE

Execution	
P01	MP Filtri Standard
Pxx	Customize

MPAP2V

Dimensions



DIMENSIONS											
Valve Size	A	B	C	D	E	F (GAS)	F (NPT)	F (SAE)	G	H	CH
005	32	13	37	69	120	-	-	SAE-4	72.5	28	22
01	32	13	37	69	120	1/4	1/4	-	72.5	28	22
015	40	17	42	72	120	-	-	SAE-6	80.5	32	27
02	40	17	48	83	120	3/8	3/8	SAE-8	80.5	35	30
03	46	19	47	83	155	1/2	1/2	SAE-10	102	38	32
04	57	24	60	95	170	3/4	3/4	SAE-12	118	48	41
05	64	28.5	65	113	170	1	1	SAE-16	125	57	50
06	64	28.5	65	120	170	1-1/4	1-1/4	SAE-20	125	60	55
07	64	28.5	65	130	170	1-1/2	1-1/2	SAE-24	125	60	60

Dimension	005	01	015	02	03	04	05	06	07
Max Pressure (PSI)	7252	7252	7252	7252	7252	5076	42.27	4061	4061
Max Flow (gpm)	7.93	7.63	7.93	13.21	21.13	31.70	5076	42.27	42.27
Nominal Diameter (mm)	6	6	6	10	13	20	25	25	25

Technical Data

Applications

- Connect single inlet flow into two outlet flows or combine two inlet flows into single outlet flow
- Control a single acting actuator

Operation

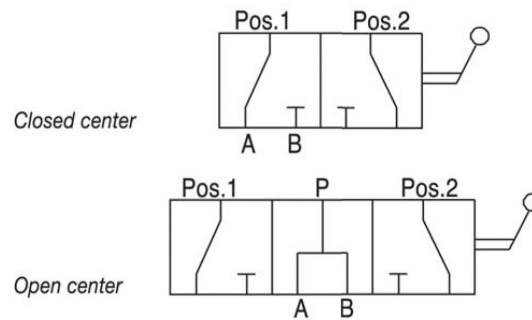
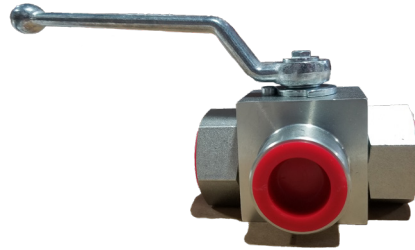
- Hand lever is Pos. 1 allows flow to port A
- Hand lever is Pos. 2 allows flow to port B
- L type (closed center) - when hand lever is in mid position all ports are partially closed (hand lever only turns 90°)
- T type (open center) - when hand lever is in mid position all ports are completely open (hand lever turns 180°)

> Standard Features

- Steel body
- Zinc plated
- Valve can turn under maximum pressure
- Counter pressure to closed port cannot be applied

Optional Features

- Chromium plated
- Green zinc plated
- Special hand lever
- Metric thread
- Male thread
- DIN 2353 fitting port thread



COMPLETE BALL VALVE

Valve Series
MPAP3V 3 way ball valve

Configuration Example 1:

Configuration Example 2:

Valve Size

	NPT / GAS	SAE
005	-	7/16 - 20 (SAE 4)
01	1/4"	-
015	-	9/16 - 18 (SAE - 6)
02	3/8"	3/4 - 16 (SAE - 8)
03	1/2"	7/8 - 14 (SAE - 10)
04	3/4"	1 1/16 - 12 (SAE -12)
05	1"	1 5/8 - 12 (SAE - 16)
06	1 1/4"	1 5/8 -12 (SAE - 20)
07	1 1/2"	1 7/8 - 12 (SAE -24)

Connection Type

	Thread GAS
N	Thread NPT
S	Thread SAE

Hydraulic Scheme

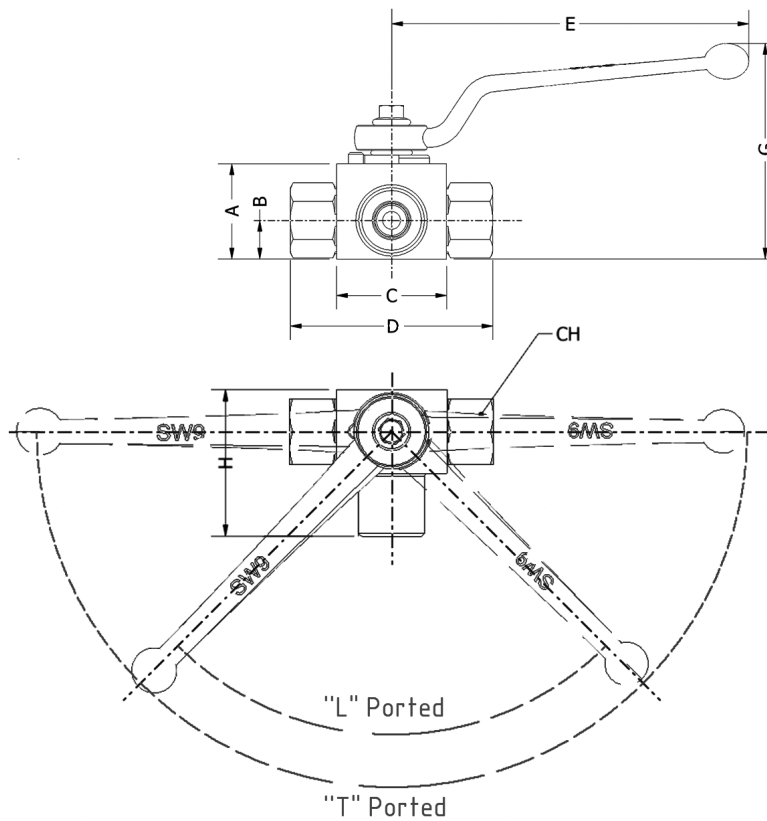
T	Open center
L	Closed center

Execution

P01	MP Filtri Standard
Pxx	Customize

MPAP3V

Dimensions



DIMENSIONS

Valve Size	A	B	C	D	E	F (GAS)	F (NPT)	F (SAE)	G	H	CH
005	32	13	37	69	120	-	-	SAE-4	72.5	49	22
01	32	13	37	69	120	1/4	1/4	-	72.5	49	22
015	40	17	42	72	120	-	-	SAE-6	80.5	52	27
02	40	17	48	83	120	3/8	3/8	SAE-8	80.5	57.5	30
03	40	17	48	83	120	1/2	1/2	SAE-10	80.5	57.5	30
04	57	24	60	95	170	3/4	3/4	SAE-12	118	73	41
05	64	28.5	65	113	170	1	1	SAE-16	125	85	50
06	64	28.5	65	120	170	1-1/4	1-1/4	SAE-20	125	90	55

Dimension	005	01	015	02	03	04	05	06
Max Pressure (PSI)	7252	7252	7252	7252	7252	5076	42.27	4061
Max Flow (gpm)	7.93	7.63	7.93	13.21	21.13	31.70	5076	42.27
Nominal Diameter (mm)	6	6	10	13	13	20	25	25



WORLDWIDE NETWORK

HEADQUARTERS

MP Filtri S.p.A.
Pessano con Bornago
Milano - Italy
+39 02 957031
sales@mpfiltri.it

BRANCH OFFICES

ITALFILTRI LLC
Moscow - Russia
+7 (495) 220 94 60
mpfiltrirusia@yahoo.com

MP Filtri Canada Inc.
Concord, Ontario - Canada
+1 905 303 1369
sales@mpfiltricanada.com

MP Filtri France SAS
Villeneuve la Garenne
Paris - France
+33 (0)1 40 86 47 00
sales@mpfiltrifrance.com

MP Filtri Germany GmbH
St. Ingbert - Germany
+49 (0) 6894 95652 2-0
sales@mpfiltri.de

MP Filtri India Pvt. Ltd.
Bangalore - India
+91 80 4147 7444 / +91 80 4146 1444
sales@mpfiltri.co.in

MP Filtri (Shanghai) Co., Ltd.
Shanghai Pudong - China
+86 21 58919916 116
sales@mpfiltrishanghai.com

MP Filtri U.K. Ltd.
Bourton on the Water
Gloucestershire - United Kingdom
+44 (0) 1451 822 522
sales@mpfiltri.co.uk

MP Filtri U.S.A. Inc.
Quakertown, PA - U.S.A.
+1 215 529 1300
sales@mpfiltriusa.com

PASSION TO PERFORM



mpfiltri.com