

NEW

ELIXIR®

ENHANCE THE LIFESPAN OF YOUR MACHINES



PASSION TO PERFORM





Lighter, easier to use, and kinder to the environment - MP Filtri's new generation **ELIXIR®** low pressure filters have been specially designed for in-line connections and to handle working pressures up to **232 PSI (16 bar)**.

ELIXIR® is available in three configurations:

- **SFEX SERIES** - Suction
- **RFX SERIES** - Return
- **LFEX SERIES** - Pressure line to be used with a differential indicator (electrical or visual)

Available in 4 sizes: 060, 080, 110, and 160, the new generation of filters is completely interchangeable with the previous MPS 050/070/100/150 series of the Spin-on range.

The new cast aluminium head and nylon design reduces weight by 10 per cent compared to the Spin-on range.

Less waste reduces both your carbon footprint and protects the environment. Replacement is fast and easy, just disassemble the bowl with an adjustable wrench, take out the **FEX** filter and replace.

Applications

Specially designed for all agricultural applications

Agriculture



Ideally suited for the **CONSTRUCTION** sector

Mobile



Industrial

Fully compatible with the **COMPRESSORS** sector



Transmission

SFEX suction filters meet the key industry standards and benchmarks

Features & Benefits

Hexagonal element sealing system

New sealing system for enhanced reliability which keeps the O-ring in line with the thread of the bowl – e.g. in vibration applications

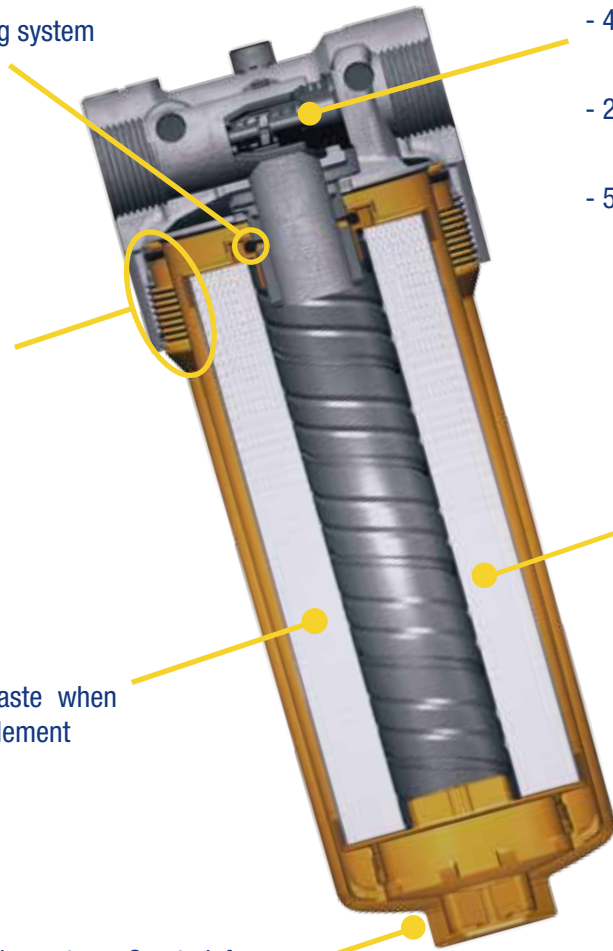
Reduction in oil waste when replacing the filter element

Fast, simple disassembly system. Created for use with an adjustable wrench - not by chain wrench or by strap wrench

New bypass valves:

- 4.35 PSI (0.3 bar) suction filter
SFEX Series
- 25 PSI (1.75 bar) return filter
RFEX Series
- 50 PSI (3.5 bar) in-line pressure filter
LFEX Series

The traditional Spin-on element disposal includes different components: metal flange, seals, metal bowl, residual oil and metal spring. The **FEX** disposal - the **ELIXIR** filter element - includes simply the element itself. Kinder to the environment by reducing the amount of waste!



The **FEX** filter element's improved connection system (hexagon and spigot) eliminates leakage and down-stream contamination



LFEX Series: New smaller differential indicator - electrical or visual



High flow rate thanks to the head geometry: the oil enters in the filter element in a spiral flow and spreads more effectively inside the filter element for greater longevity





WORLDWIDE NETWORK



HEADQUARTERS

8 BRANCHES

OVER 300 DISTRIBUTORS

Germany

France

USA

Russian Federation

China

United Kingdom

India

Canada



PASSION TO PERFORM

www.mpfiltri.com