

MPG Series

Pressure Gauges



Technical data

Clogging indicators

Pressure gauges

MP Filtri USA offers a choice of accurate, high-visibility pressure gauges.

Liquid (Glycerine) Filled Gauge
Stem and Back Mount
Scale: Concentric 270° - PSI/BAR

Specification

- Connection: Bottom (Model A); Center back (Model D)
- Standard Threads: 1/4" NPT and SAE -4
- Accuracy: 1.5% of span
- Temperature Range: Between -20° to +80°C
- Working Range: Steady: 3/4 scale valve
Fluctuating: 2/3 scale valve
Short Time: full scale
- Protection Degree: IP 65
- Scale: Concentric 270° PSI/Bar

Materials

- Socket: Copper Alloy
- Case: Stainless Steel
- Flange and Ring Stainless Steel (Model E)
- Ring: Stainless Steel (Model B)
- Bourdon Tube: Circular in copper alloy up to 600 PSI, Helical in copper alloy above 900 PSI
- Movement: Copper Alloy
- Window: Polycarbonate, Acrylic 4"
- Dial: White ABS, black scale
- Mounting: Model E: Front flange with 3 mounting holes
Model B: With special ring and back clamp

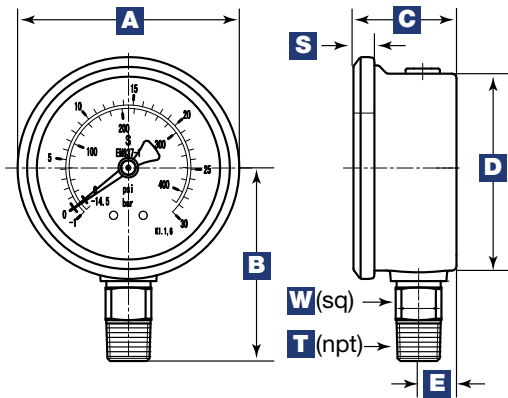
Designation & Ordering code

PRESSURE GAUGE

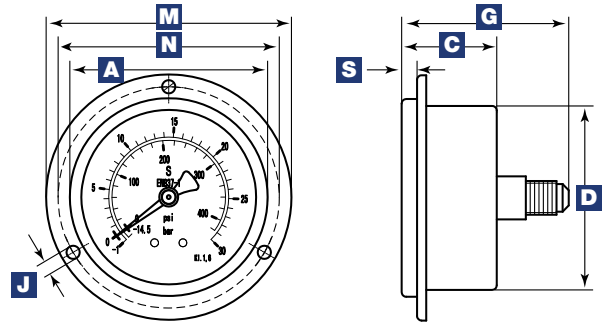
Series	Configuration example : MPG 1 V 300 A N					
MPG Pressure gauge						
Diameter						
1 2- 1/2"						
2 4"						
Gauge type						
V Vacuum						
P Pressure						
Pressure range						
30/0 30 in. Hg/0 psi	600 600 psi					
30/30 30 in. Hg/300 psi	1000 1000 psi					
30 30 psi	1500 1500 psi					
60 60 psi	2000 2000 psi					
100 100 psi	3000 3000 psi					
160 160 psi	4000 4000 psi					
200 200 psi	5000 5000 psi					
300 300 psi	6000 6000 psi					
500 500 psi	10000 10000 psi					
Thread						
N 1/4" NPT						
S 4 SAE (7/16" - 20 UNF)						
Style						
A Bottom stem						
B Panel clamp (**)						
D Back stem (N/A on 4" gauge)						
E Back flange (N/A on 4" gauge) (**)						

(**) Panel flange and clamp may be ordered separately to fit "D" style gauge 2- 1/2" model only.

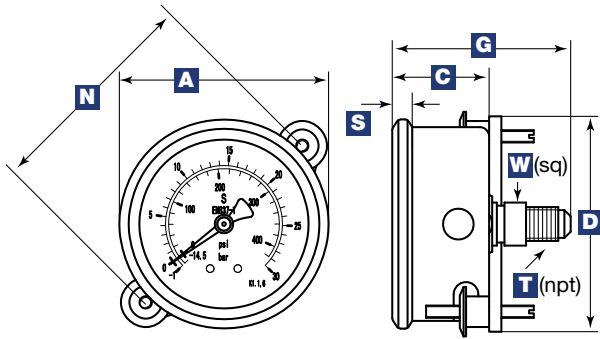
Part Number:
MPG-1-E-Flange
MPG-1-B-Clamp



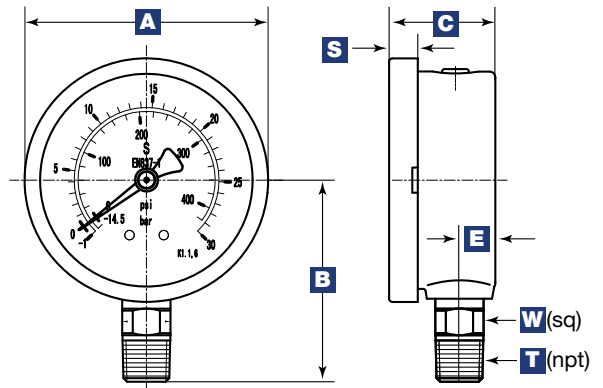
2-1/2" MPG Model A



2-1/2" MPG Model D & E



2-1/2" MPG Model B



4" MPG Model A

Size	Weight	Key	A	B	C	D	E	G	H	J	M	N	S	T	W
2- 1/2"	0.36 lbs + 0.06 lbs if filled	mm/in.	63/2.5	54/2.13	32/1.26	62/2.44	13/0.51	54/2.13	N/A	3.6/0.14	85/3.35	75/2.95	6.5/0.26	1/4 in.	14/0.55
4"	1.10 lbs + 0.66 lbs if filled	mm/in.	100/4	82/3.41	48/1.89	100/3.99	15.5/0.61	79.5/3.13	30/1.18	4.8/0.19	12/5.2	116/4.57	8/0.31	1/2 in.	12/0.87

A = Nominal Size
 T = SAE -4 (7/16 -20 UNF) Connection, Supplied with Viton o-ring, hex nut, and washer