

CF20 MANIFOLD CARTRIDGE SERIES

Flow rate
up to 32 gpm
(120 l/min)

Pressure
to 6000 psi
(414 bar)



PASSION  PERFORM



CF 20 GENERAL INFORMATION

Technical data

High pressure cartridge filters

Flow rate up to 32 gpm (120 l/min)

Pressure to 6000 psi (414 bar)

CF20 is a cartridge filter for protection of sensitive components within integrated valve manifolds and pilot line circuits with orifices.

They are not intended to be a substitute for full system filtration but are a "last chance" filter for the protection of control valves against contamination during system start-up and catastrophic failures.

They are designed to be easily installed into a standard cavity in manifolds with flowrate to 32 gpm (120 l/min).

Available features:

- Designed for installation into a machined manifold cavity, retained by a standard SAE 16 plug, and includes a convenient extraction handle.
- Stainless steel wire mesh filtration, to provide a variety of system protection requirements.
- High Collapse design and robust materials, to extend the reliability of CF20 elements during system operation.

Common applications:

- Agricultural machines
- Construction
- Mobile machines

Filter element materials

- Caps: Polyamide
- Internal tube: AISI 316
- Media: Wire mesh

Pressure

- Collapse pressure up to: 3046 psi (210 bar)
- Operating pressure to 6000 psi (414 bar)

Fluid flow direction

- Outside to Inside

Seals

- Standard NBR series A
- Optional FPM series V

Temperature

From -13 °F to +230°F (from -25 °C to +110 °C)

Note

Can be installed in any position

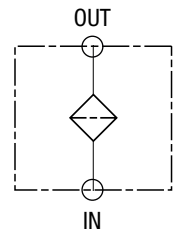
Flow rates and ΔP @ 30 cSt

Filter element series	CF 20								
	Q [gpm]	M010	M025	M050	Q [l/min]	M010	M025	M050	
CF20	5,28	6.38	4.21	1.74	20	0,44	0,29	0,12	
	10,57	14.07	8.85	3.48	40	0,97	0,61	0,24	
	15,85	22.34	14.36	6.09	60	1,54	0,99	0,42	
	21,13	30.60	21.18	9.86	80	2,11	1,46	0,68	
	26,42	40.90	27.85	14.21	100	2,82	1,92	0,98	
	31,70	51.05	37.27	17.98	120	3,52	2,57	1,24	

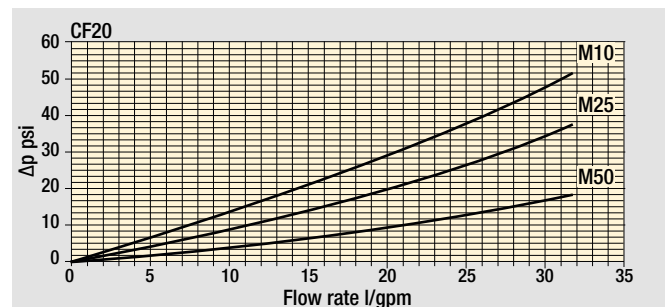
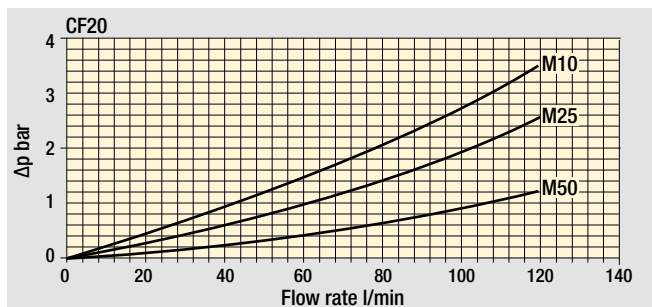
Weight

	Weight
CF20	0.047 gr (0.103 lb)

Hydraulic symbols



Filter element pressure drop



The reference fluid has a kinematic viscosity of 30 mm²/s (cSt) and a density of 0.86 kg/dm³. For different pressure drop or fluid viscosity we recommend to use our selection software available on www.mpfiltri.com. Please, contact our Sales Department for further additional information.

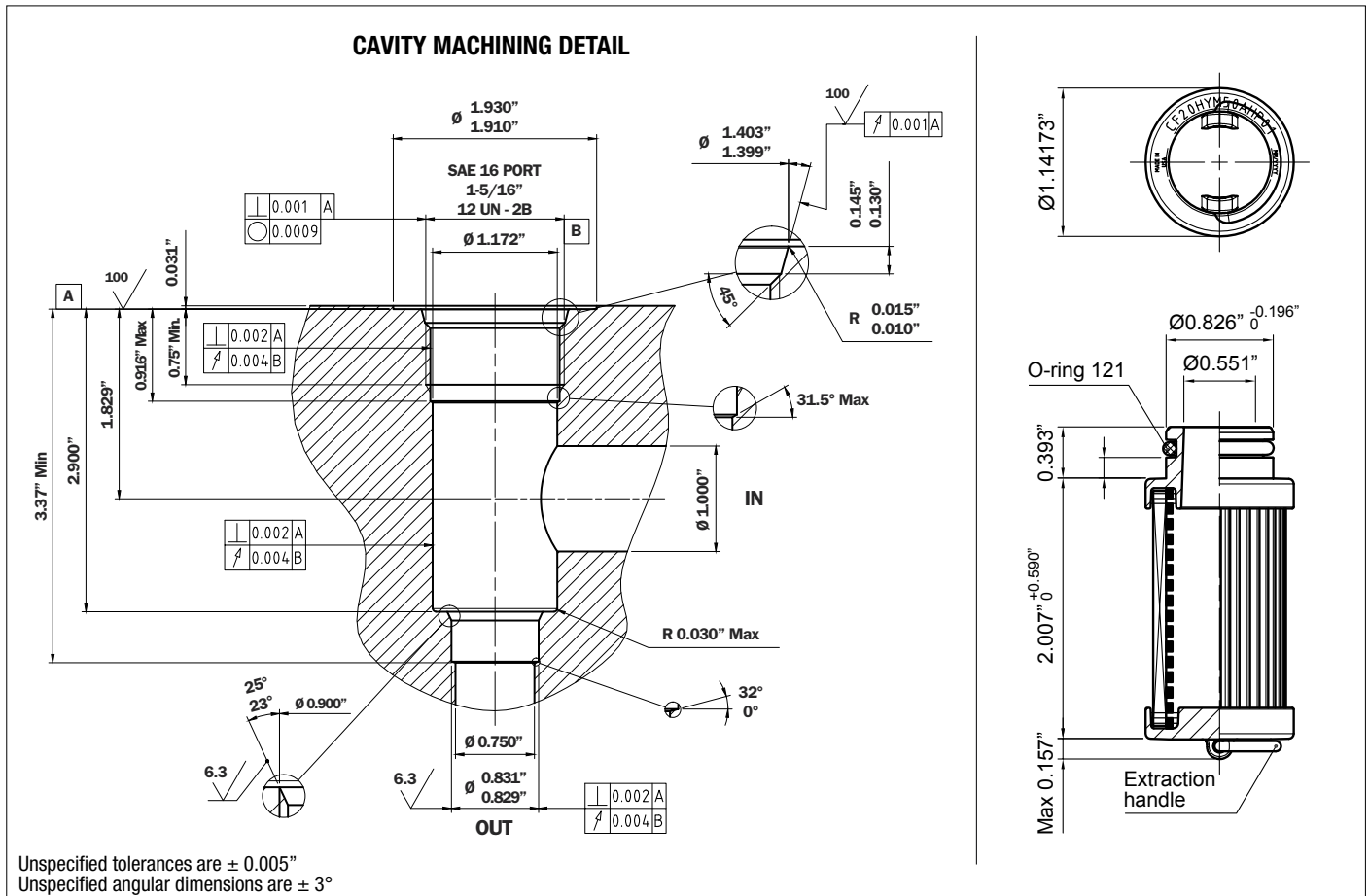
CF 20

Designation & Ordering code

COMPLETE FILTER

Series and size	Configuration example:	CF	20	HY	M050	A	H	P01
CF High pressure cartridge filters								
Size								
20								
Cavity Design								
HY								
Filtration rating (filter media)								
M010 Wire mesh 10 µm								
M025 Wire mesh 25 µm								
M050 Wire mesh 50 µm								
Seals								
A NBR								
V FPM								
Contact factory for other seal material								
Collapse pressure								
H High collaps 3046 psid (210 bard)								
Version								
P01 MP Filtri standard								
Pxx Customized								

Dimensions



All data, details and words contained in this publication are provided for use by technically qualified personnel at their discretion, without warranty of any kind. MP Filtri reserves the right to make modifications to the models and versions of the described products at any time for both technical and/or commercial reasons. For updated information please visit our website: www.mpfiltri.com. The colors and the pictures of the products are purely indicative. Any reproduction, partial or total, of this document is strictly forbidden. All rights are strictly reserved

WORLDWIDE NETWORK

CANADA ♦ CHINA ♦ FRANCE ♦ GERMANY ♦ INDIA ♦ SINGAPORE
UNITED ARAB EMIRATES ♦ UNITED KINGDOM ♦ USA

A world map in shades of blue with several yellow location markers. A prominent marker in Italy is labeled 'HQ ITALY' with a white line pointing to a white antenna icon. Other markers are located in North America, Europe, the Middle East, and Southeast Asia.

HQ
ITALY



PASSION  PERFORM

in   



mpfiltri.com

MP Filtri reserves the right to make modifications to the models and versions of the described products at any time for both technical and/or commercial reasons. For updated information please visit our website: www.mpfiltri.com. The colors and the pictures of the products are purely indicative. Any reproduction, partial or total, of this document is strictly forbidden. All rights are strictly reserved.

MF002000104
US - 2024.06