



THE **X** CONCEPT FOR OUR FILTERS

Protect the performance of your system with MYclean.
Quality and efficiency are fundamental for MP Filtri:
this exclusive new filter element possesses polygon shape geometry and specific seal
that ensures only original spare parts can be used - ensuring correct operation and
higher system reliability.

MPFX series

with **MYCLEAN** MFX Filter Element



- **Protects the machine from improper use of non-original products.**
- **Safety of constant quality protection & reliability**

With exclusive filter element you are sure that only MP Filtri filter elements can be used, ensuring the best cleaning level of the oil due to the use of originals filter elements.



The products identified as MPFX are protected by:

- Italian Patent n° 102014902261205
- Canadian Patent n° 2,937,258
- European Patent n° 16181725.9
- US Patent n° 15/224,337

TOGETHER WITH **MYCLEAN**, AS OPTION, MPFX SERIES CAN BE PROVIDED WITH

zerospark[®]
THE ANTI-STATIC FILTERS

THE **Z** CONCEPT FOR OUR FILTERS



Zerospark[®] is a specialist solution designed to solve the problem of electrostatic discharge inside hydraulic filters. Caused by the electrical charge build-up due to the passage of oil through the filters, this can result in damage to filter elements, oils and circuit components. It can even cause fire hazards in environments where flammable materials are present.

MPFX series

Maximum working pressure up to 800 kPa (8 bar) - Flow rate up to 900 l/min



Description

Technical data

Return filter

Maximum working pressure up to 800 kPa (8 bar)

Flow rate up to 900 l/min

MPFX is a range of return filters for protection of the reservoir against the system contamination.

They are directly fixed to the reservoir, in immersed or semi-immersed position.

The filter output must be always immersed into the fluid to avoid aeration or foam generation into the reservoir.

Available features:

- Female threaded connections up to 2" and flanged connections up to 2", for a maximum flow rate of 900 l/min
- Multiple connections, to connect several return lines or drains
- Fine filtration rating, to get a good cleanliness level into the reservoir
- Bypass valve integrated into the filter element, to relieve excessive pressure drop across the filter media
- 2, 3 or 4 fixing holes for installation, to suit a variety of reservoir surfaces
- O-ring or Flat Seal to suit a variety of reservoir surfaces
- Oil dipstick, to easily check the level of the fluid into the reservoir (sold as separate item)
- Extension tube, to be used in deep reservoirs (sold as separate item)
- Diffuser, to reduce the risk of aeration, foaming and noise (sold as separate item)
- Filler plug, to fill cleaned fluid into the tank without an additional connection
- Visual, electrical and electronic clogging indicators
- MYclean interface connection, to protect the product against non-original spare parts
- External protective wrap, to optimize the flow through the element and to save the element efficiency against non-proper handling

Common applications:

- Light Industrial equipment
- Mobile application

Filter housing materials

- Head: Aluminium

- Cover

Polyamide: MPFX 030-100-104-110

Aluminium: MPFX 181-182-184-191-192-194-400-410-450-451-750

- Bowl: Polyamide

Bypass valve

- Opening pressure 175 kPa (1.75 bar) ±10%

- Opening pressure 300 kPa (3 bar) ±10%

Δp element type

- Microfiber filter elements - series H: 10 bar

- Fluid flow through the filter element from OUT to IN

Seals

- Standard NBR series A

- Optional FPM series V

Temperature

From -25 °C to +110 °C

Note

MPFX filters are provided for vertical mounting

Weights [kg] and volumes [dm³]

| Filter series | Weights [kg] | | | | Volumes [dm ³] | | | | | |
|---------------------|--------------|------|------|------|----------------------------|--------|------|------|------|------|
| | Length | 1 | 2 | 3 | 4 | Length | 1 | 2 | 3 | 4 |
| MPFX 030 | | 0.40 | - | - | - | | 0.29 | - | - | - |
| MPFX 100 | | 0.61 | 0.64 | 0.67 | 0.74 | | 0.64 | 0.85 | 1.20 | 1.65 |
| MPFX 104 | | 0.82 | 0.96 | 1.02 | 1.25 | | 0.64 | 0.85 | 1.20 | 1.65 |
| MPFX 110 | | 0.64 | 0.68 | 0.71 | 0.78 | | - | - | - | - |
| MPFX 181 | | 2.20 | 3.00 | - | - | | 2.50 | 4.00 | - | - |
| MPFX 182 | | 2.30 | 3.10 | - | - | | 2.50 | 4.00 | - | - |
| MPFX 184 | | 2.55 | 3.45 | - | - | | 2.65 | 4.45 | - | - |
| MPFX 191 | | - | 3.00 | - | - | | - | 4.25 | - | - |
| MPFX 192 | | - | 3.10 | - | - | | - | 4.25 | - | - |
| MPFX 194 | | - | 3.45 | - | - | | - | 4.45 | - | - |
| MPFX 400 | | 3.35 | 3.65 | 3.90 | - | | 3.70 | 4.60 | 5.40 | - |
| MPFX 410 | | 3.55 | 3.85 | 4.10 | - | | 3.70 | 4.60 | 5.40 | - |
| MPFX 450-451 | | 3.95 | 4.25 | 4.50 | - | | 3.70 | 4.60 | 5.40 | - |
| MPFX 750 | | 6.30 | - | - | - | | 8.45 | - | - | - |

| Filter series | Length | Filter element design - H series | | | | | Filter element design - N series | | |
|-------------------------|----------|----------------------------------|-----|-----|-----|-----|----------------------------------|-----|-----|
| | | A03 | A06 | A10 | A16 | A25 | M25 M60 M90 | P10 | P25 |
| MPFX 030 | 1 | 7 | 10 | 24 | 29 | 47 | 84 | 60 | 66 |
| MPFX 100-104-110 | 1 | 18 | 20 | 53 | 56 | 65 | 153 | 87 | 96 |
| | 2 | 28 | 38 | 65 | 75 | 95 | 158 | 111 | 123 |
| | 3 | 48 | 55 | 125 | 135 | 169 | 289 | 224 | 251 |
| | 4 | 79 | 89 | 180 | 185 | 198 | 306 | 264 | 289 |
| MPFX 181-182-184 | 1 | 127 | 148 | 235 | 243 | 278 | 441 | 285 | 299 |
| | 2 | 231 | 262 | 358 | 382 | 388 | 472 | 404 | 412 |
| MPFX 191-192-194 | 2 | 261 | 305 | 489 | 528 | 546 | 696 | 583 | 598 |
| MPFX 400 | 1 | 150 | 171 | 294 | 304 | 350 | 585 | 370 | 390 |
| | 2 | 237 | 252 | 454 | 462 | 589 | 868 | 619 | 645 |
| | 3 | 248 | 288 | 553 | 609 | 621 | 885 | 680 | 703 |
| MPFX 410 | 1 | 146 | 167 | 277 | 285 | 325 | 512 | 341 | 357 |
| | 2 | 226 | 239 | 396 | 402 | 485 | 644 | 503 | 519 |
| | 3 | 236 | 269 | 462 | 497 | 505 | 653 | 539 | 553 |
| MPFX 450-451 | 1 | 150 | 171 | 294 | 304 | 350 | 585 | 370 | 390 |
| | 2 | 237 | 252 | 454 | 462 | 589 | 868 | 619 | 645 |
| | 3 | 248 | 288 | 553 | 609 | 621 | 885 | 680 | 703 |
| MPFX 750 | 1 | 392 | 465 | 623 | 700 | 769 | 929 | 804 | 819 |

Maximum flow rate for a complete return filter with a pressure drop $\Delta p = 0.5$ bar.

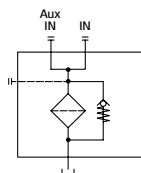
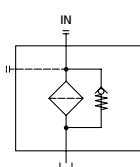
The reference fluid has a kinematic viscosity of 30 mm²/s (cSt) and a density of 0.86 kg/dm³.

For different pressure drop or fluid viscosity we recommend to use our selection software available on www.mpfiltri.com.

You can also calculate the right size using the formulas present on the FILTER SIZING paragraph at the beginning of the full catalogue or at the beginning of the filter family brochure. Please, contact our Sales Department for further additional information.

Hydraulic symbols

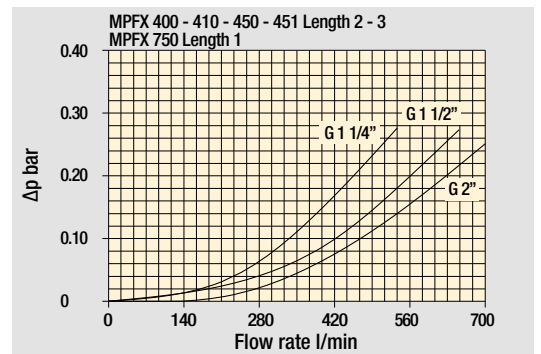
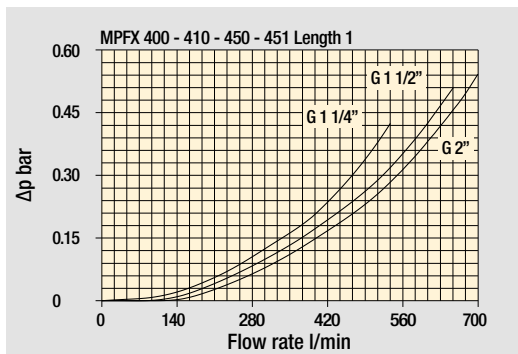
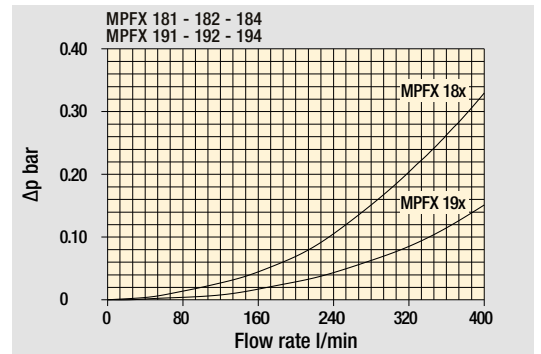
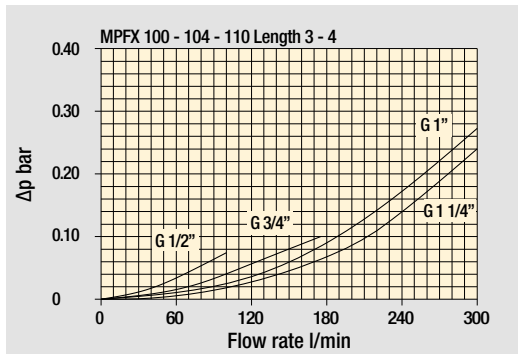
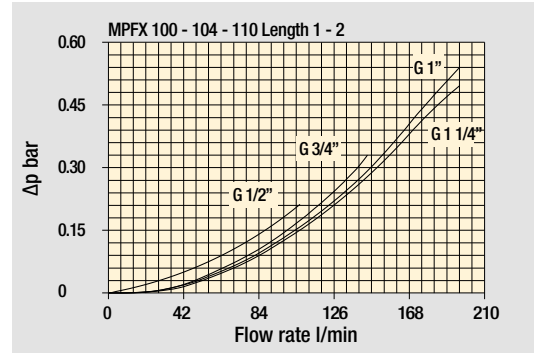
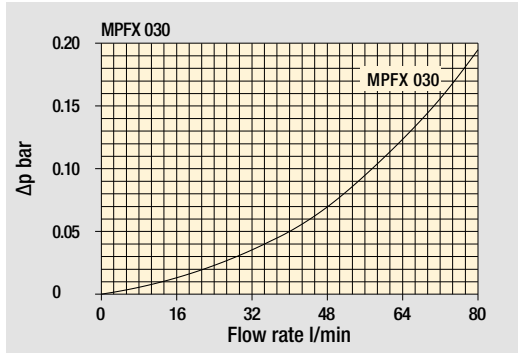
| Filter series | Style 1 connection | Style 2 connections |
|-----------------|--------------------|---------------------|
| MPFX 030 | ● | - |
| MPFX 100 | ● | - |
| MPFX 104 | ● | - |
| MPFX 110 | - | ● |
| MPFX 181 | ● | - |
| MPFX 182 | - | ● |
| MPFX 184 | ● | ● |
| MPFX 191 | ● | - |
| MPFX 192 | ● | - |
| MPFX 194 | ● | ● |
| MPFX 400 | ● | - |
| MPFX 410 | - | ● |
| MPFX 450 | ● | - |
| MPFX 451 | - | ● |
| MPFX 750 | ● | - |



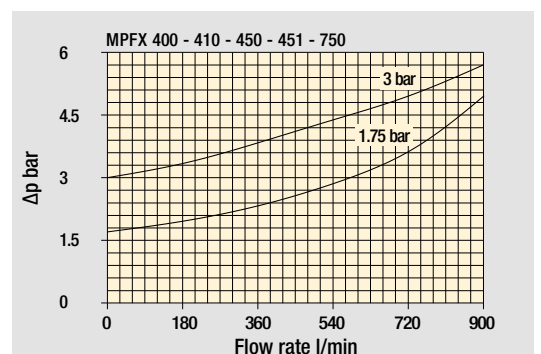
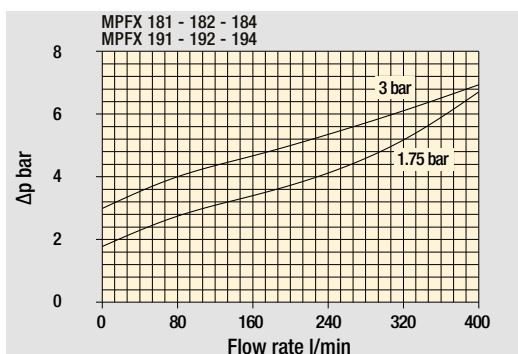
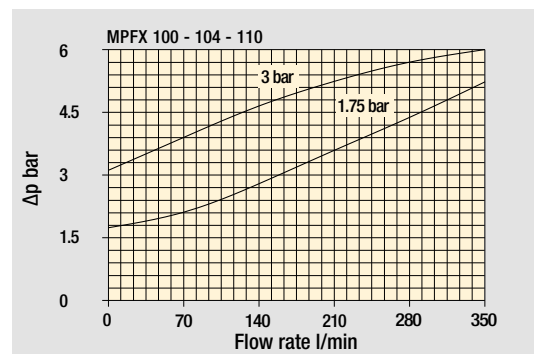
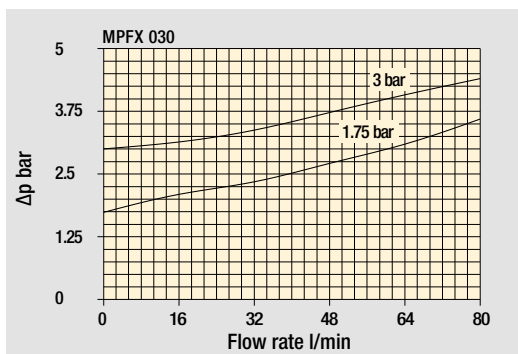
MPFX GENERAL INFORMATION

Pressure drop

Filter housings Δp pressure drop



Bypass valve pressure drop

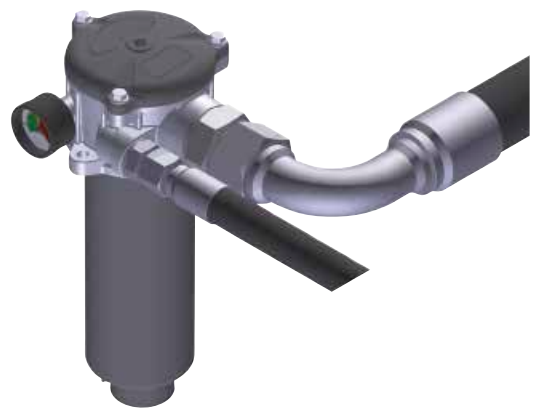


The curves are plotted using mineral oil with density of 0.86 kg/dm³ in compliance with ISO 3968. Δp varies proportionally with density.

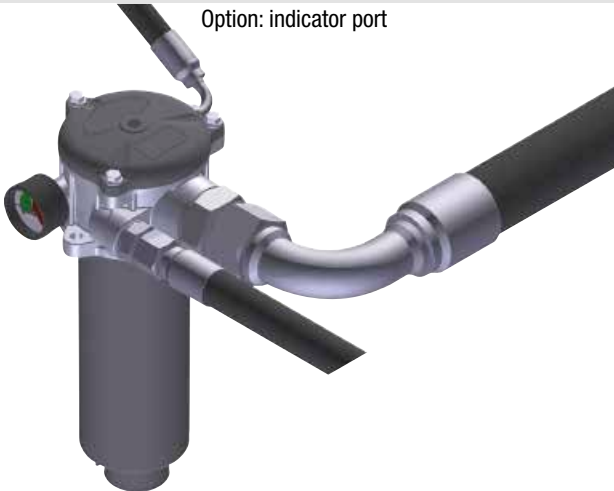
Standard - Single IN port



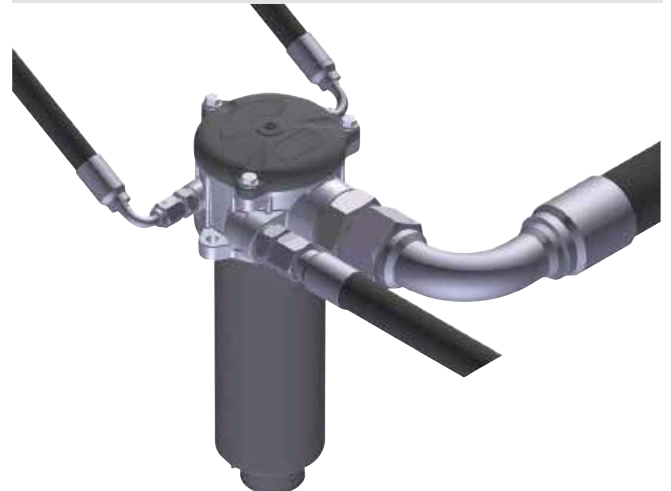
Double IN port
Option: double indicator port



Double IN port - Drain port
Option: indicator port



Double IN port - Double drain port



Designation & Ordering code

COMPLETE FILTER

| | | | | | | | | |
|--|----------------------------------|---|---|----|-----|---|---|-----|
| Series and size MPFX030 Filter featuring Filter Element | Configuration example 1: MPFX030 | 1 | V | G1 | M25 | N | B | P01 |
| | Configuration example 2: MPFX030 | 1 | A | G4 | A10 | H | E | P01 |
| Length 1 | | | | | | | | |
| Seals and treatments | | | | | | | | |
| A NBR | | | | | | | | |
| V FPM | | | | | | | | |
| W NBR head anodized | | | | | | | | |
| Z FPM head anodized | | | | | | | | |
| Connections | | | | | | | | |
| G1 G 1/2" | | | | | | | | |
| G4 1/2" NPT | | | | | | | | |
| G7 SAE 8 - 3/4" - 16 UNF | | | | | | | | |
| Filtration rating (filter media) | | | | | | | | |
| A03 Inorganic microfiber 3 µm | | | | | | | | |
| A06 Inorganic microfiber 6 µm | | | | | | | | |
| A10 Inorganic microfiber 10 µm | | | | | | | | |
| A16 Inorganic microfiber 16 µm | | | | | | | | |
| A25 Inorganic microfiber 25 µm | | | | | | | | |
| M25 Wire mesh 25 µm | | | | | | | | |
| M60 Wire mesh 60 µm | | | | | | | | |
| M90 Wire mesh 90 µm | | | | | | | | |
| P10 Resin impregnated paper 10 µm | | | | | | | | |
| P25 Resin impregnated paper 25 µm | | | | | | | | |

All filter media except M60, P10 and P25 are compatible with fluids HFA, HFB and HFC

| Element Δp | Filter media | | |
|------------|--------------|-----|-----|
| | Axx | Mxx | Pxx |
| N 10 bar | - | • | • |
| H 10 bar | • | - | - |

| Bypass valve | |
|--------------|----------|
| E | 3 bar |
| B | 1.75 bar |

| Executions | | |
|------------|-----|--------------------|
| Base | | |
| P01 | Z01 | MP Filtri standard |
| Pxx | Zxx | Customized |

FILTER ELEMENT

| | | | | | | | |
|---|---------------------------------|---|-----|---|---|---|-----|
| Element series and size MFX030 Filter Element with feature | Configuration example 1: MFX030 | 1 | M25 | N | V | | P01 |
| | Configuration example 2: MFX030 | 1 | A10 | H | B | E | P01 |
| Element length 1 | | | | | | | |
| Filtration rating (filter media) | | | | | | | |
| A03 Inorganic microfiber 3 µm | | | | | | | |
| A06 Inorganic microfiber 6 µm | | | | | | | |
| A10 Inorganic microfiber 10 µm | | | | | | | |
| A16 Inorganic microfiber 16 µm | | | | | | | |
| A25 Inorganic microfiber 25 µm | | | | | | | |
| M25 Wire mesh 25 µm | | | | | | | |
| M60 Wire mesh 60 µm | | | | | | | |
| M90 Wire mesh 90 µm | | | | | | | |
| P10 Resin impregnated paper 10 µm | | | | | | | |
| P25 Resin impregnated paper 25 µm | | | | | | | |

| Element Δp | Filter media | | |
|------------|--------------|-----|-----|
| | Axx | Mxx | Pxx |
| N 10 bar | - | • | • |
| H 10 bar | • | - | - |

| Seals | |
|-------|-----|
| B | NBR |
| V | FPM |

| Bypass valve | |
|--------------|----------|
| E | 3 bar |
| - | 1.75 bar |

| Executions | | |
|------------|-----|--------------------|
| Base | | |
| P01 | Z01 | MP Filtri standard |
| Pxx | Zxx | Customized |

CLOGGING INDICATORS

See page 680-681

| | |
|-----|--|
| BVA | Axial pressure gauge |
| BVR | Radial pressure gauge |
| BVP | Visual pressure indicator with automatic reset |
| BVQ | Visual pressure indicator with manual reset |

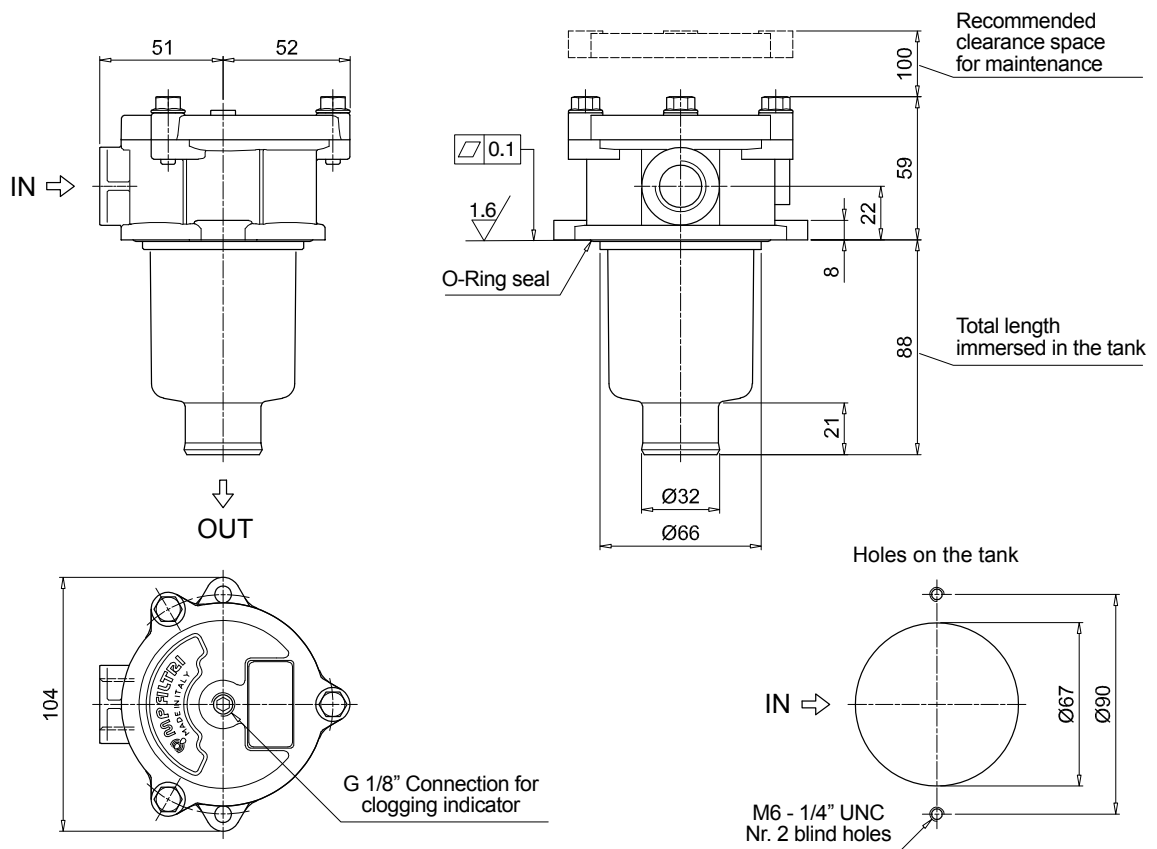
| | |
|-----|--|
| BEA | Electrical pressure indicator |
| BEM | Electrical pressure indicator |
| BLA | Electrical / visual pressure indicator |

ADDITIONAL FEATURES

See page 262

| | |
|----|---------------------|
| TE | Extension tube |
| T5 | Filler plug M30x1.5 |

MPFX030



MPFX MPFX100 - MPFX104

Designation & Ordering code

COMPLETE FILTER

| | | | | | | | | | |
|---|--------------------------|---------|---|---|----|-----|---|---|-----|
| Series and size | Configuration example 1: | MPFX100 | 2 | W | G3 | A06 | H | B | P01 |
| MPFX100 MPFX104 Filter featuring MYCLEAN Filter Element | Configuration example 2: | MPFX104 | 4 | A | G8 | P10 | N | E | P01 |

| | | | | |
|---------------|---|---|---|---|
| Length | 1 | 2 | 3 | 4 |
|---------------|---|---|---|---|

| | |
|-----------------------------|-------------------|
| Seals and treatments | |
| A | NBR |
| V | FPM |
| W | NBR head anodized |
| Z | FPM head anodized |

| Connections | Size 100 | Size 104 | Connections | Size 100 | Size 104 |
|--------------------|----------|----------|------------------------------------|----------|----------|
| G1 G 1/2" | • | • | G7 SAE 8 - 3/4" - 16 UNF | • | • |
| G2 G 3/4" | • | • | G8 SAE 12 - 1 1/16" - 12 UN | • | • |
| G3 G 1" | • | • | G9 SAE 16 - 1 5/16" - 12 UN | • | • |
| G4 1/2" NPT | • | • | | | |
| G5 3/4" NPT | • | • | | | |
| G6 1" NPT | • | • | | | |

| | |
|---|--|
| Filtration rating (filter media) | |
| A03 Inorganic microfiber 3 µm | M25 Wire mesh 25 µm |
| A06 Inorganic microfiber 6 µm | M60 Wire mesh 60 µm |
| A10 Inorganic microfiber 10 µm | M90 Wire mesh 90 µm |
| A16 Inorganic microfiber 16 µm | P10 Resin impregnated paper 10 µm |
| A25 Inorganic microfiber 25 µm | P25 Resin impregnated paper 25 µm |

All filter media except M60, P10 and P25 are compatible with fluids HFA, HFB and HFC

| Element Δp | Filter media | | | Bypass valve | Executions | | |
|-----------------|--------------|-----|-----|-------------------|------------|--|--------------------|
| | Axx | Mxx | Pxx | | Base | zere spark | |
| N 10 bar | - | • | • | E 3 bar | P01 | Z01 | MP Filtri standard |
| H 10 bar | • | - | - | B 1.75 bar | Pxx | Zxx | Customized |

FILTER ELEMENT

| | | | | | | | | |
|--|--------------------------|--------|---|-----|---|---|-----|-----|
| Element series and size | Configuration example 1: | MFX100 | 2 | A06 | H | B | P01 | |
| MFX100 Filter Element with MYCLEAN feature | Configuration example 2: | MFX100 | 4 | P10 | N | B | E | P01 |

| | | | | |
|-----------------------|---|---|---|---|
| Element length | 1 | 2 | 3 | 4 |
|-----------------------|---|---|---|---|

| | |
|---|--|
| Filtration rating (filter media) | |
| A03 Inorganic microfiber 3 µm | M25 Wire mesh 25 µm |
| A06 Inorganic microfiber 6 µm | M60 Wire mesh 60 µm |
| A10 Inorganic microfiber 10 µm | M90 Wire mesh 90 µm |
| A16 Inorganic microfiber 16 µm | P10 Resin impregnated paper 10 µm |
| A25 Inorganic microfiber 25 µm | P25 Resin impregnated paper 25 µm |

| Element Δp | Filter media | | | Seals | Bypass valve | Executions | | |
|-----------------|--------------|-----|-----|--------------|----------------|------------|--|--------------------|
| | Axx | Mxx | Pxx | | | Base | zere spark | |
| N 10 bar | - | • | • | B NBR | E 3 bar | P01 | Z01 | MP Filtri standard |
| H 10 bar | • | - | - | V FPM | - 1.75 bar | Pxx | Zxx | Customized |

CLOGGING INDICATORS

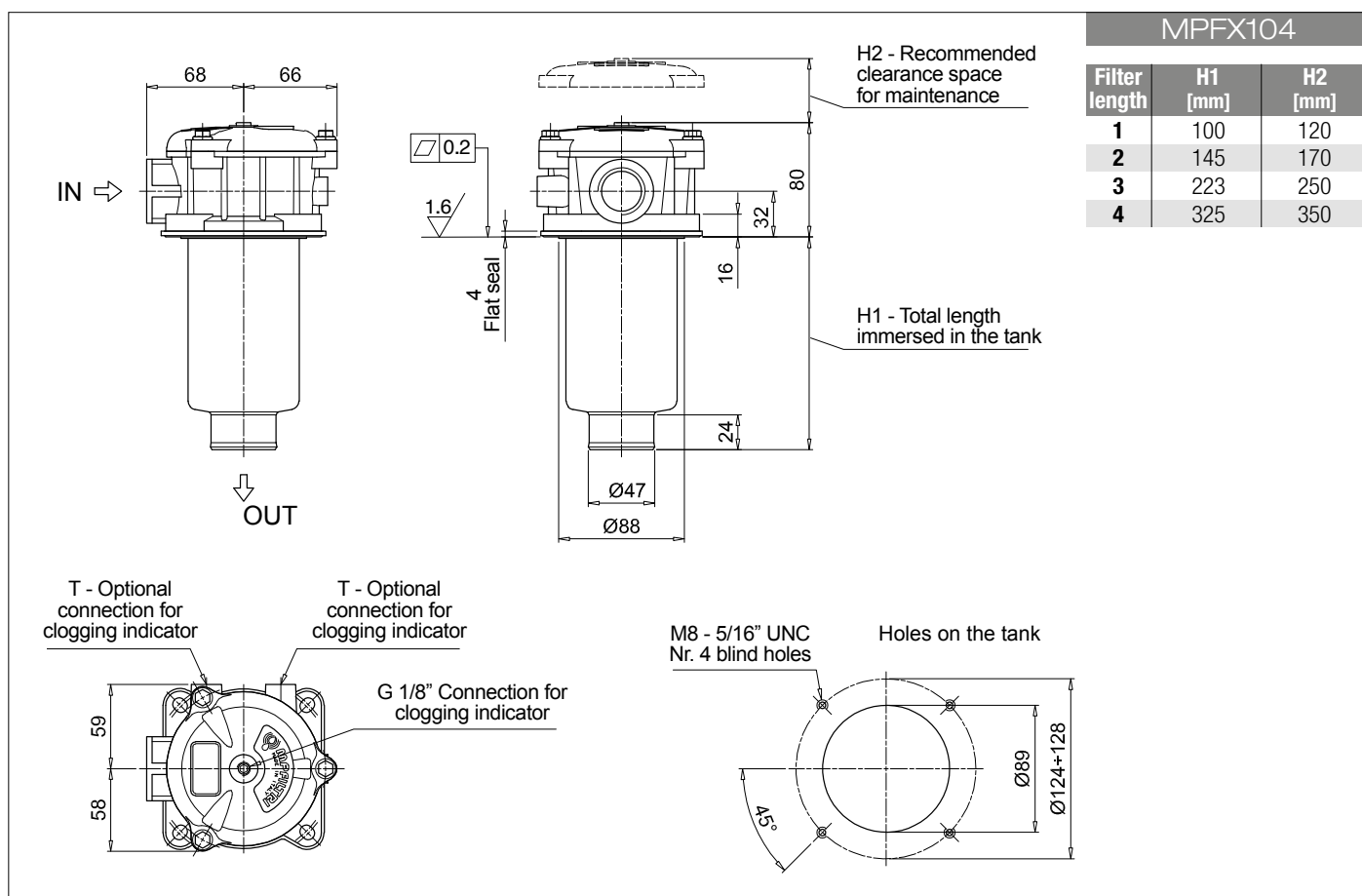
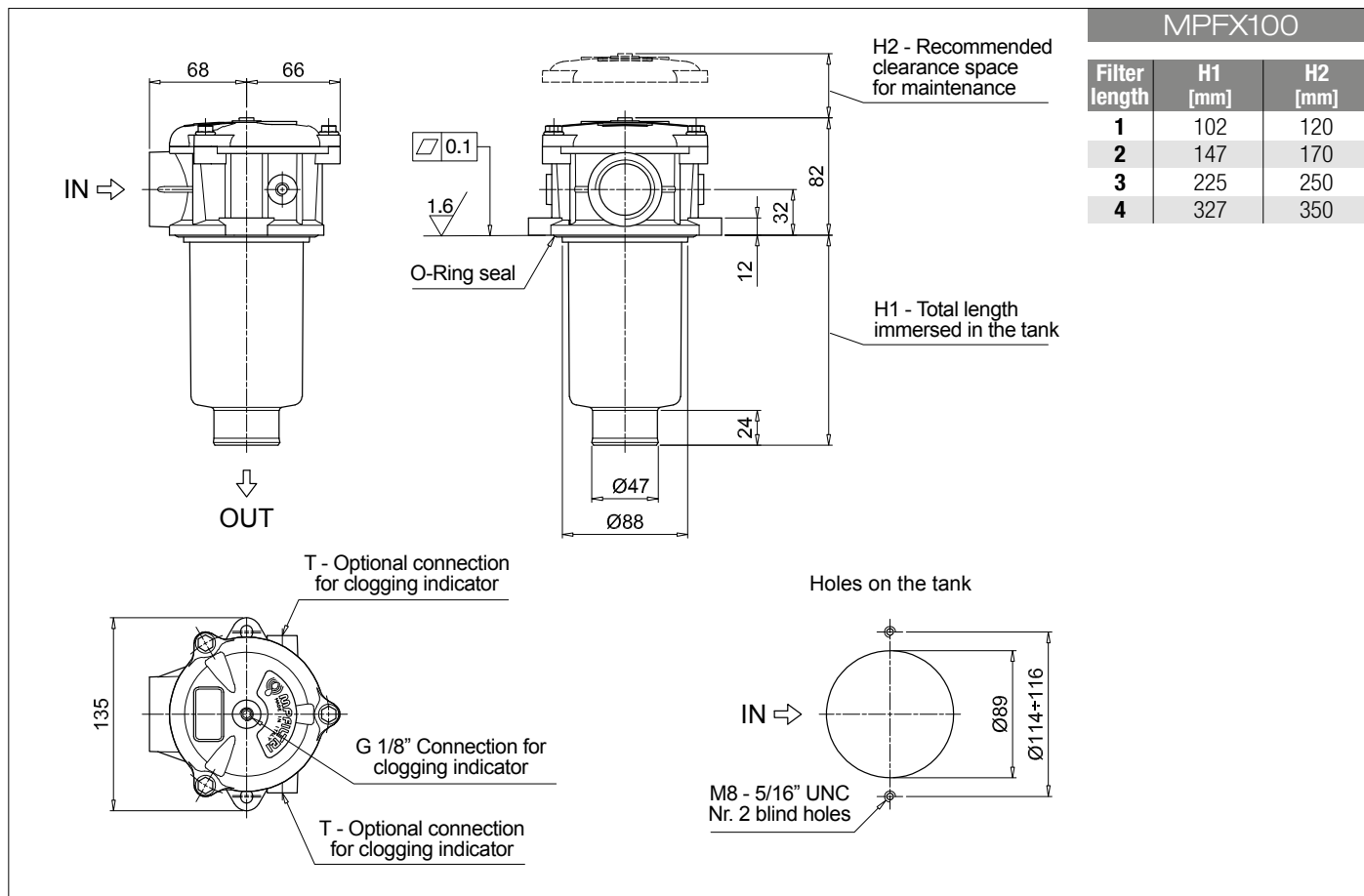
See page 680-681

| | |
|---|---|
| BVA Axial pressure gauge | BEA Electrical pressure indicator |
| BVR Radial pressure gauge | BEM Electrical pressure indicator |
| BVP Visual pressure indicator with automatic reset | BLA Electrical / visual pressure indicator |
| BVQ Visual pressure indicator with manual reset | |

ADDITIONAL FEATURES

See page 262

| | |
|---|-------------------------------|
| TE Extension tube | T5 Filler plug M30x1.5 |
| DFS Diffuser with fast lock connection | DPT Dipstick |



MPFX MPFX110

Designation & Ordering code

COMPLETE FILTER

| | | | | | | | | | | | | | | | | | | | | | |
|--|--|--------------------------|---|------------------------|--|-----------------------|--|--|-------------------|--|--|--------------------------------------|----------------------------|--------------------------------------|----------------------------|---------------------------------------|----------------------------|---------------------------------------|--|---------------------------------------|--|
| Series and size | | | Configuration example 1: MPFX110 3 Z G4 2 M25 H B P01 | | | | | | | | | | | | | | | | | | |
| MPFX110 Filter featuring MY CLEAN Filter Element | | | Configuration example 2: MPFX110 4 A G8 1 P10 N E P01 | | | | | | | | | | | | | | | | | | |
| Length | | | 1 2 3 4 | | | | | | | | | | | | | | | | | | |
| Seals and treatments | | | <table border="0"> <tr> <td>A NBR</td> <td>W NBR head anodized</td> </tr> <tr> <td>V FPM</td> <td>Z FPM head anodized</td> </tr> </table> | | | | | | | | | A NBR | W NBR head anodized | V FPM | Z FPM head anodized | | | | | | |
| A NBR | W NBR head anodized | | | | | | | | | | | | | | | | | | | | |
| V FPM | Z FPM head anodized | | | | | | | | | | | | | | | | | | | | |
| Main Connections | | | Main Connections | | | Aux size 1 | | | Aux size 2 | | | | | | | | | | | | |
| G1 G 1/2" | Aux size 1 G 3/8" | Aux size 2 G 1/2" | G7 SAE 8 - 3/4" - 16 UNF | | | | | | | | | | | | | | | | | | |
| G2 G 3/4" | | | G8 SAE 12 - 1 1/16" - 12 UN | SAE 6 - 9/16" - 18 UNF | | SAE 8 - 3/4" - 16 UNF | | | | | | | | | | | | | | | |
| G3 G 1" | | | G9 SAE 16 - 1 5/16" - 12 UN | | | | | | | | | | | | | | | | | | |
| G4 1/2" NPT | | | G10 G 1 1/4" | G 3/8" | | G 1/2" | | | | | | | | | | | | | | | |
| G5 3/4" NPT | 3/8" NPT | 1/2" NPT | G11 1 1/4" NPT | 3/8" NPT | | 1/2" NPT | | | | | | | | | | | | | | | |
| G6 1" NPT | | | G12 SAE 20 - 1 5/8" - 12 UN | SAE 6 - 9/16" - 18 UNF | | SAE 8 - 3/4" - 16 UNF | | | | | | | | | | | | | | | |
| Aux connection - see previous table | | | <table border="0"> <tr> <td>1 Aux size 1</td> <td>2 Aux size 2</td> </tr> </table> | | | | | | | | | 1 Aux size 1 | 2 Aux size 2 | | | | | | | | |
| 1 Aux size 1 | 2 Aux size 2 | | | | | | | | | | | | | | | | | | | | |
| Filtration rating (filter media) | | | <table border="0"> <tr> <td>A03 Inorganic microfiber 3 µm</td> <td>M25 Wire mesh 25 µm</td> </tr> <tr> <td>A06 Inorganic microfiber 6 µm</td> <td>M60 Wire mesh 60 µm</td> </tr> <tr> <td>A10 Inorganic microfiber 10 µm</td> <td>M90 Wire mesh 90 µm</td> </tr> <tr> <td>A16 Inorganic microfiber 16 µm</td> <td>P10 Resin impregnated paper 10 µm</td> </tr> <tr> <td>A25 Inorganic microfiber 25 µm</td> <td>P25 Resin impregnated paper 25 µm</td> </tr> </table> | | | | | | | | | A03 Inorganic microfiber 3 µm | M25 Wire mesh 25 µm | A06 Inorganic microfiber 6 µm | M60 Wire mesh 60 µm | A10 Inorganic microfiber 10 µm | M90 Wire mesh 90 µm | A16 Inorganic microfiber 16 µm | P10 Resin impregnated paper 10 µm | A25 Inorganic microfiber 25 µm | P25 Resin impregnated paper 25 µm |
| A03 Inorganic microfiber 3 µm | M25 Wire mesh 25 µm | | | | | | | | | | | | | | | | | | | | |
| A06 Inorganic microfiber 6 µm | M60 Wire mesh 60 µm | | | | | | | | | | | | | | | | | | | | |
| A10 Inorganic microfiber 10 µm | M90 Wire mesh 90 µm | | | | | | | | | | | | | | | | | | | | |
| A16 Inorganic microfiber 16 µm | P10 Resin impregnated paper 10 µm | | | | | | | | | | | | | | | | | | | | |
| A25 Inorganic microfiber 25 µm | P25 Resin impregnated paper 25 µm | | | | | | | | | | | | | | | | | | | | |

All filter media except M60, P10 and P25 are compatible with fluids HFA, HFB and HFC

| | | | | | | | | | | | |
|-------------------|--------------|--------------|---------------------|----------------|-------------------|------------------------|-------------------|------------|--------------------|--|--|
| Element Δp | | | Filter media | | | Bypass valve | | | Executions | | |
| N 10 bar | Axx - | Mxx • | Pxx • | E 3 bar | B 1.75 bar | Base P01 | zereospark | Z01 | MP Filtri standard | | |
| H 10 bar | Axx • | Mxx - | Pxx - | | | Pxx | | Zxx | Customized | | |

FILTER ELEMENT

| | | | | | | | | | | | | | | | | | | | | | |
|---|--|--|---|--|--|--|--|--|--|--|--|--------------------------------------|----------------------------|--------------------------------------|----------------------------|---------------------------------------|----------------------------|---------------------------------------|--|---------------------------------------|--|
| Element series and size | | | Configuration example 1: MFx100 3 M25 H V P01 | | | | | | | | | | | | | | | | | | |
| MFx100 Filter Element with MY CLEAN feature | | | Configuration example 2: MFx100 4 P10 N B E P01 | | | | | | | | | | | | | | | | | | |
| Element length | | | 1 2 3 4 | | | | | | | | | | | | | | | | | | |
| Filtration rating (filter media) | | | <table border="0"> <tr> <td>A03 Inorganic microfiber 3 µm</td> <td>M25 Wire mesh 25 µm</td> </tr> <tr> <td>A06 Inorganic microfiber 6 µm</td> <td>M60 Wire mesh 60 µm</td> </tr> <tr> <td>A10 Inorganic microfiber 10 µm</td> <td>M90 Wire mesh 90 µm</td> </tr> <tr> <td>A16 Inorganic microfiber 16 µm</td> <td>P10 Resin impregnated paper 10 µm</td> </tr> <tr> <td>A25 Inorganic microfiber 25 µm</td> <td>P25 Resin impregnated paper 25 µm</td> </tr> </table> | | | | | | | | | A03 Inorganic microfiber 3 µm | M25 Wire mesh 25 µm | A06 Inorganic microfiber 6 µm | M60 Wire mesh 60 µm | A10 Inorganic microfiber 10 µm | M90 Wire mesh 90 µm | A16 Inorganic microfiber 16 µm | P10 Resin impregnated paper 10 µm | A25 Inorganic microfiber 25 µm | P25 Resin impregnated paper 25 µm |
| A03 Inorganic microfiber 3 µm | M25 Wire mesh 25 µm | | | | | | | | | | | | | | | | | | | | |
| A06 Inorganic microfiber 6 µm | M60 Wire mesh 60 µm | | | | | | | | | | | | | | | | | | | | |
| A10 Inorganic microfiber 10 µm | M90 Wire mesh 90 µm | | | | | | | | | | | | | | | | | | | | |
| A16 Inorganic microfiber 16 µm | P10 Resin impregnated paper 10 µm | | | | | | | | | | | | | | | | | | | | |
| A25 Inorganic microfiber 25 µm | P25 Resin impregnated paper 25 µm | | | | | | | | | | | | | | | | | | | | |

| | | | | | | | | | | | |
|-------------------|--------------|--------------|---------------------|----------------|-------------------|------------------------|-------------------|------------|--------------------|--|--|
| Element Δp | | | Filter media | | | Bypass valve | | | Executions | | |
| N 10 bar | Axx - | Mxx • | Pxx • | E 3 bar | B 1.75 bar | Base P01 | zereospark | Z01 | MP Filtri standard | | |
| H 10 bar | Axx • | Mxx - | Pxx - | | | Pxx | | Zxx | Customized | | |

CLOGGING INDICATORS

See page 680-681

| | |
|---|---|
| BVA Axial pressure gauge | BEA Electrical pressure indicator |
| BVR Radial pressure gauge | BEM Electrical pressure indicator |
| BVP Visual pressure indicator with automatic reset | BLA Electrical / visual pressure indicator |
| BVQ Visual pressure indicator with manual reset | |

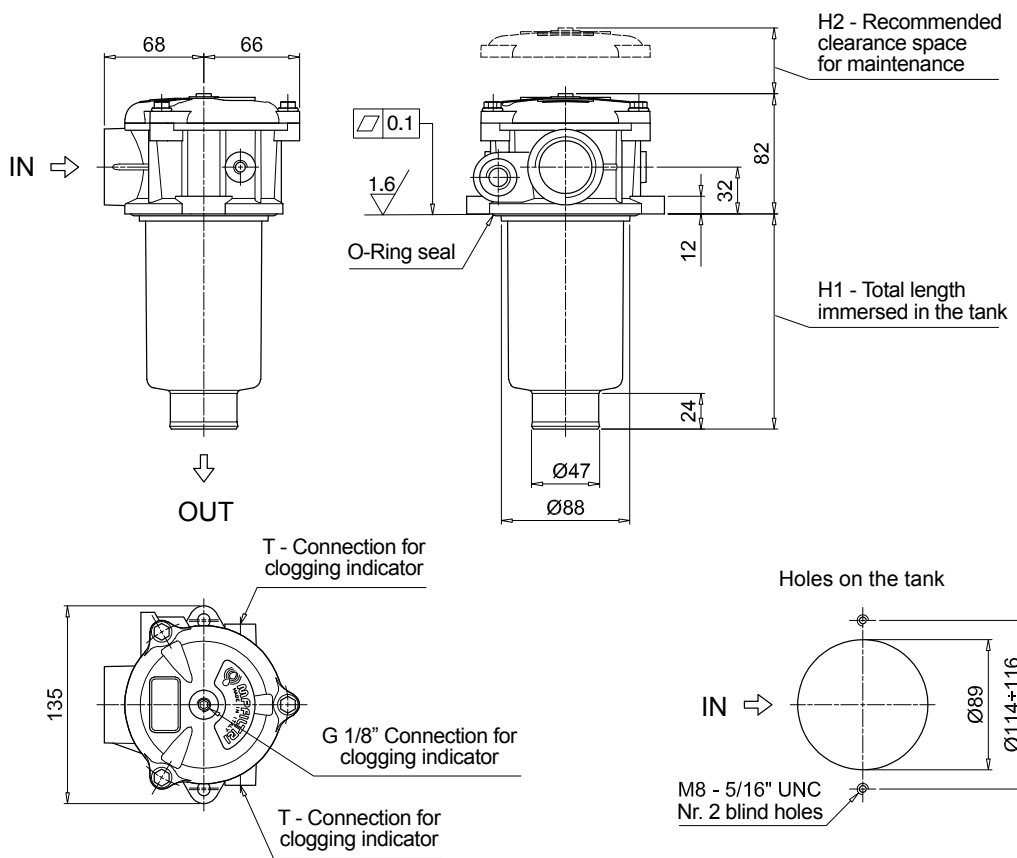
ADDITIONAL FEATURES

See page 262

| | |
|---|-------------------------------|
| TE Extension tube | T5 Filler plug M30x1.5 |
| DFS Diffuser with fast lock connection | DPT Dipstick |

| MPFX110 | | |
|---------------|---------|---------|
| Filter length | H1 [mm] | H2 [mm] |
| 1 | 102 | 120 |
| 2 | 147 | 170 |
| 3 | 225 | 250 |
| 4 | 327 | 350 |

| Connections | T |
|--------------------------|----------|
| G1-G2-G3 | G 1/8" |
| G4-G5-G6-G7-G8-G9 | 1/8" NPT |
| G10 | G 1/8" |
| G11-G12 | 1/8" NPT |



MPFX MPFX181 - MPFX191

Designation & Ordering code

COMPLETE FILTER

| | | | | | | | | | | |
|---|--|---|--|----------|----------|-----------|------------|----------|----------|------------|
| Series and size | | Configuration example 1: MPFX181 | | 1 | A | G1 | A25 | H | E | P01 |
| MPFX181 MPFX191 Filter featuring MYCLEAN Filter Element | | Configuration example 2: MPFX191 | | 2 | V | G2 | P10 | N | B | P01 |

| | | |
|---------------|-----------------|-----------------|
| Length | Size 181 | Size 191 |
| 1 | • | - |
| 2 | • | • |

| | |
|-----------------------------|---|
| Seals and treatments | |
| A NBR | B NBR flat seal on head |
| V FPM | D FPM flat seal on head |
| W NBR head anodized | L NBR head anodized, flat seal on head |
| Z FPM head anodized | M FPM head anodized, flat seal on head |

| | |
|----------------------|-----------------------------------|
| Connections | |
| G1 G 1 1/4" | G5 1 1/2" NPT |
| G2 G 1 1/2" | G7 SAE 20 - 1 5/8" - 12 UN |
| G4 1 1/4" NPT | G8 SAE 24 - 1 7/8" - 12 UN |

| | |
|---|--|
| Filtration rating (filter media) | |
| A03 Inorganic microfiber 3 µm | M25 Wire mesh 25 µm |
| A06 Inorganic microfiber 6 µm | M60 Wire mesh 60 µm |
| A10 Inorganic microfiber 10 µm | M90 Wire mesh 90 µm |
| A16 Inorganic microfiber 16 µm | P10 Resin impregnated paper 10 µm |
| A25 Inorganic microfiber 25 µm | P25 Resin impregnated paper 25 µm |

All filter media except M60, P10 and P25 are compatible with fluids HFA, HFB and HFC

| | | | | |
|-------------------|--|---------------------|------------|------------|
| Element Δp | | Filter media | | |
| N 10 bar | | Axx | Mxx | Pxx |
| H 10 bar | | • | - | - |

| | | | | |
|---------------------|--|-------------------|------------------------------|--------------------|
| Bypass valve | | Executions | | |
| E 3 bar | | Base | zerospark⁺ | |
| B 1.75 bar | | P01 | Z01 | MP Filtri standard |
| | | Pxx | Zxx | Customized |

FILTER ELEMENT

| | | | | | | | | | |
|---|--|---------------------------------------|--|----------|------------|----------|----------|----------|------------|
| Element series and size | | Configuration example 1: MF180 | | 1 | A25 | H | B | E | P01 |
| MF180 Filter Element with MYCLEAN feature | | Configuration example 2: MF180 | | 2 | P10 | N | V | | P01 |

| | | |
|-----------------------|----------|----------|
| Element length | 1 | 2 |
| | • | • |

| | |
|---|--|
| Filtration rating (filter media) | |
| A03 Inorganic microfiber 3 µm | M25 Wire mesh 25 µm |
| A06 Inorganic microfiber 6 µm | M60 Wire mesh 60 µm |
| A10 Inorganic microfiber 10 µm | M90 Wire mesh 90 µm |
| A16 Inorganic microfiber 16 µm | P10 Resin impregnated paper 10 µm |
| A25 Inorganic microfiber 25 µm | P25 Resin impregnated paper 25 µm |

| | | | | |
|-------------------|--|---------------------|------------|------------|
| Element Δp | | Filter media | | |
| N 10 bar | | Axx | Mxx | Pxx |
| H 10 bar | | • | - | - |

| | | | | | | |
|--------------|--|---------------------|--|-------------------|------------------------------|--------------------|
| Seals | | Bypass valve | | Executions | | |
| B NBR | | E 3 bar | | Base | zerospark⁺ | |
| V FPM | | - 1.75 bar | | P01 | Z01 | MP Filtri standard |
| | | | | Pxx | Zxx | Customized |

CLOGGING INDICATORS

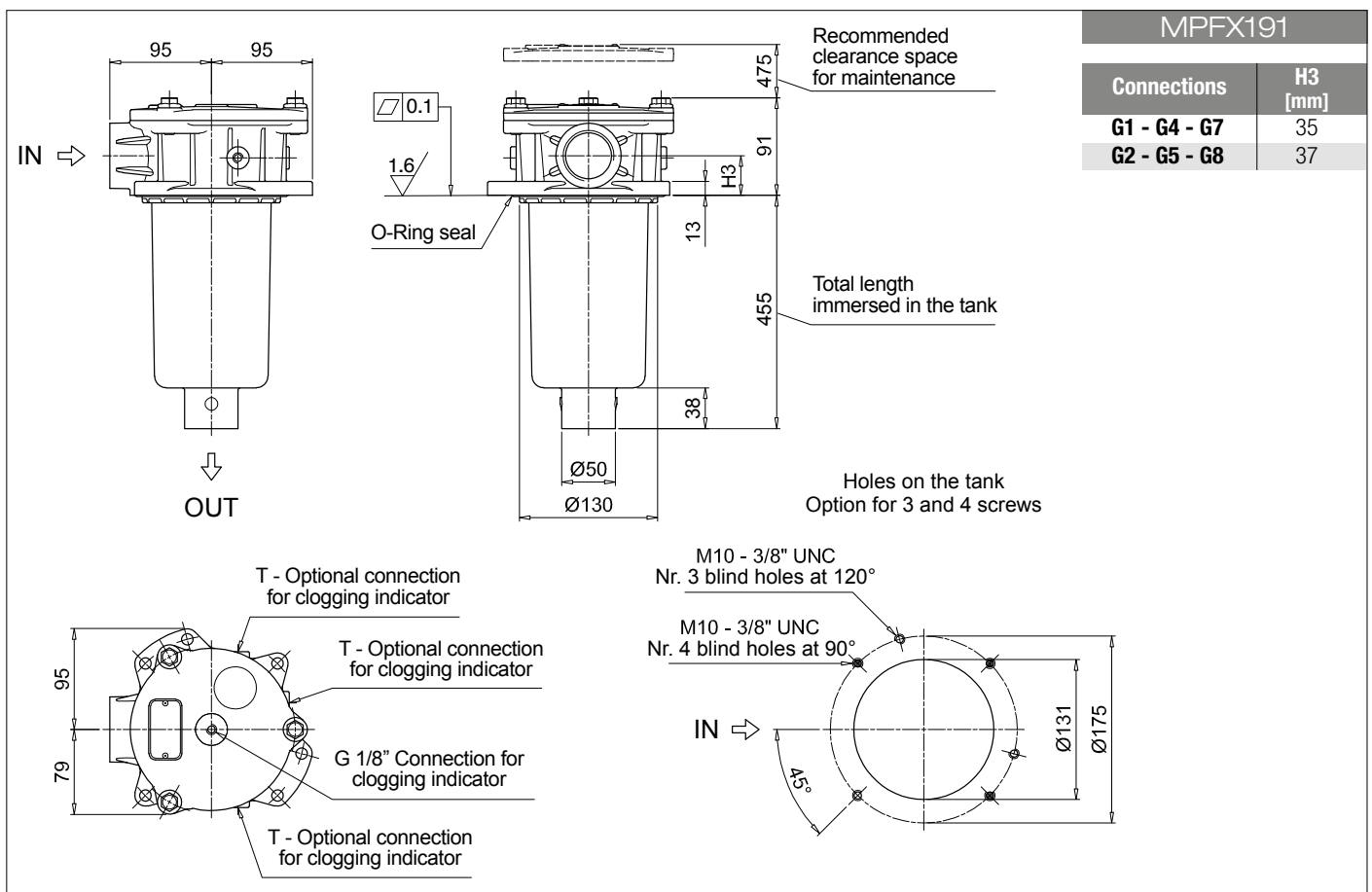
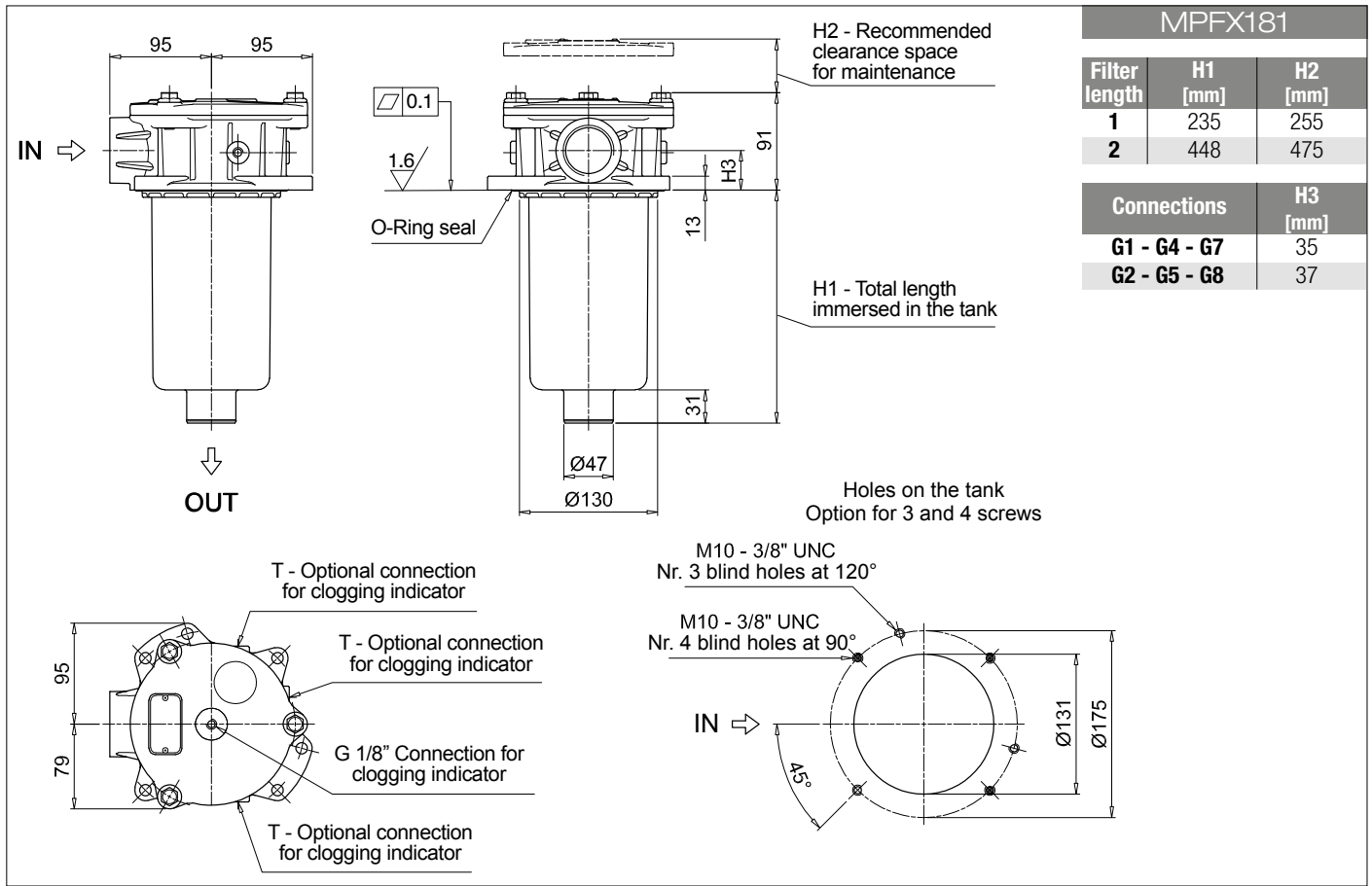
See page 680-681

| | |
|---|---|
| BVA Axial pressure gauge | BEA Electrical pressure indicator |
| BVR Radial pressure gauge | BEM Electrical pressure indicator |
| BVP Visual pressure indicator with automatic reset | BLA Electrical / visual pressure indicator |
| BVQ Visual pressure indicator with manual reset | |

ADDITIONAL FEATURES

See page 262

| |
|-------------------------------|
| TE Extension tube |
| T5 Filler plug M30x1.5 |



MPFX MPFX182 - MPFX192

Designation & Ordering code

COMPLETE FILTER

| | | | | | | | | | | | | |
|--|---|-----------------|--|-------------------|-------------|---------------------|---------------------------|--|------------------------------|--|-------------------|--|
| Series and size | | | Configuration example 1: MPFX182 1 A G1 1 A25 H E P01 | | | | | | | | | |
| MPFX182 MPFX192 Filter featuring MYCLEAN Filter Element | | | Configuration example 2: MPFX192 2 V G4 2 P10 N B P01 | | | | | | | | | |
| Length | Size 182 | Size 192 | | | | | | | | | | |
| 1 | • | - | | | | | | | | | | |
| 2 | • | • | | | | | | | | | | |
| Seals and treatments | | | | | | | | | | | | |
| A NBR | B NBR flat seal on head | | | | | | | | | | | |
| V FPM | D FPM flat seal on head | | | | | | | | | | | |
| W NBR head anodized | L NBR head anodized, flat seal on head | | | | | | | | | | | |
| Z FPM head anodized | M FPM head anodized, flat seal on head | | | | | | | | | | | |
| Main Connections | | | Aux size 1 | Aux size 2 | | | | | | | | |
| G1 G 1 1/4" | G 1/2" | | G 3/4" | | | | | | | | | |
| G4 1 1/4" NPT | 1/2" NPT | | 3/4" NPT | | | | | | | | | |
| G7 SAE 20 - 1 5/8" - 12 UN | SAE 8 - 3/16" - 16 UNF | | SAE 12 - 1 1/16" - 12 UN | | | | | | | | | |
| Aux connection - see previous table | | | | | | | | | | | | |
| 1 Aux size 1 | 2 Aux size 2 | | | | | | | | | | | |
| Filtration rating (filter media) | | | | | | | | | | | | |
| A03 Inorganic microfiber 3 µm | M25 Wire mesh 25 µm | | | | | | | | | | | |
| A06 Inorganic microfiber 6 µm | M60 Wire mesh 60 µm | | | | | | | | | | | |
| A10 Inorganic microfiber 10 µm | M90 Wire mesh 90 µm | | | | | | | | | | | |
| A16 Inorganic microfiber 16 µm | P10 Resin impregnated paper 10 µm | | | | | | | | | | | |
| A25 Inorganic microfiber 25 µm | P25 Resin impregnated paper 25 µm | | | | | | | | | | | |
| All filter media except M60, P10 and P25 are compatible with fluids HFA, HFB and HFC | | | | | | | | | | | | |
| Element Δp | | | Filter media | | | Bypass valve | | | | | Executions | |
| N 10 bar | Axx | Mxx | Pxx | E 3 bar | Base | | | | zérospark[®] | | | |
| H 10 bar | • | • | • | B 1.75 bar | P01 | Z01 | MP Filtri standard | | | | | |
| | • | - | - | | Pxx | Zxx | Customized | | | | | |

FILTER ELEMENT

| | | | | | | | | | | | | |
|--|--|------------|--|--------------|-------------------|--------------|-------------|---------------------|------------------------------|-------------------|--|--|
| Element series and size | | | Configuration example 1: MFX180 1 A25 H B E P01 | | | | | | | | | |
| MFX180 Filter Element with MYCLEAN feature | | | Configuration example 2: MFX180 2 P10 N V P01 | | | | | | | | | |
| Element length | | | | | | | | | | | | |
| 1 | 2 | | | | | | | | | | | |
| Filtration rating (filter media) | | | | | | | | | | | | |
| A03 Inorganic microfiber 3 µm | M25 Wire mesh 25 µm | | | | | | | | | | | |
| A06 Inorganic microfiber 6 µm | M60 Wire mesh 60 µm | | | | | | | | | | | |
| A10 Inorganic microfiber 10 µm | M90 Wire mesh 90 µm | | | | | | | | | | | |
| A16 Inorganic microfiber 16 µm | P10 Resin impregnated paper 10 µm | | | | | | | | | | | |
| A25 Inorganic microfiber 25 µm | P25 Resin impregnated paper 25 µm | | | | | | | | | | | |
| Element Δp | | | Filter media | | | Seals | | Bypass valve | | Executions | | |
| N 10 bar | Axx | Mxx | Pxx | B NBR | E 3 bar | | Base | | zérospark[®] | | | |
| H 10 bar | • | • | • | V FPM | - 1.75 bar | | P01 | Z01 | MP Filtri standard | | | |
| | • | - | - | | | | Pxx | Zxx | Customized | | | |

CLOGGING INDICATORS

See page 680-681

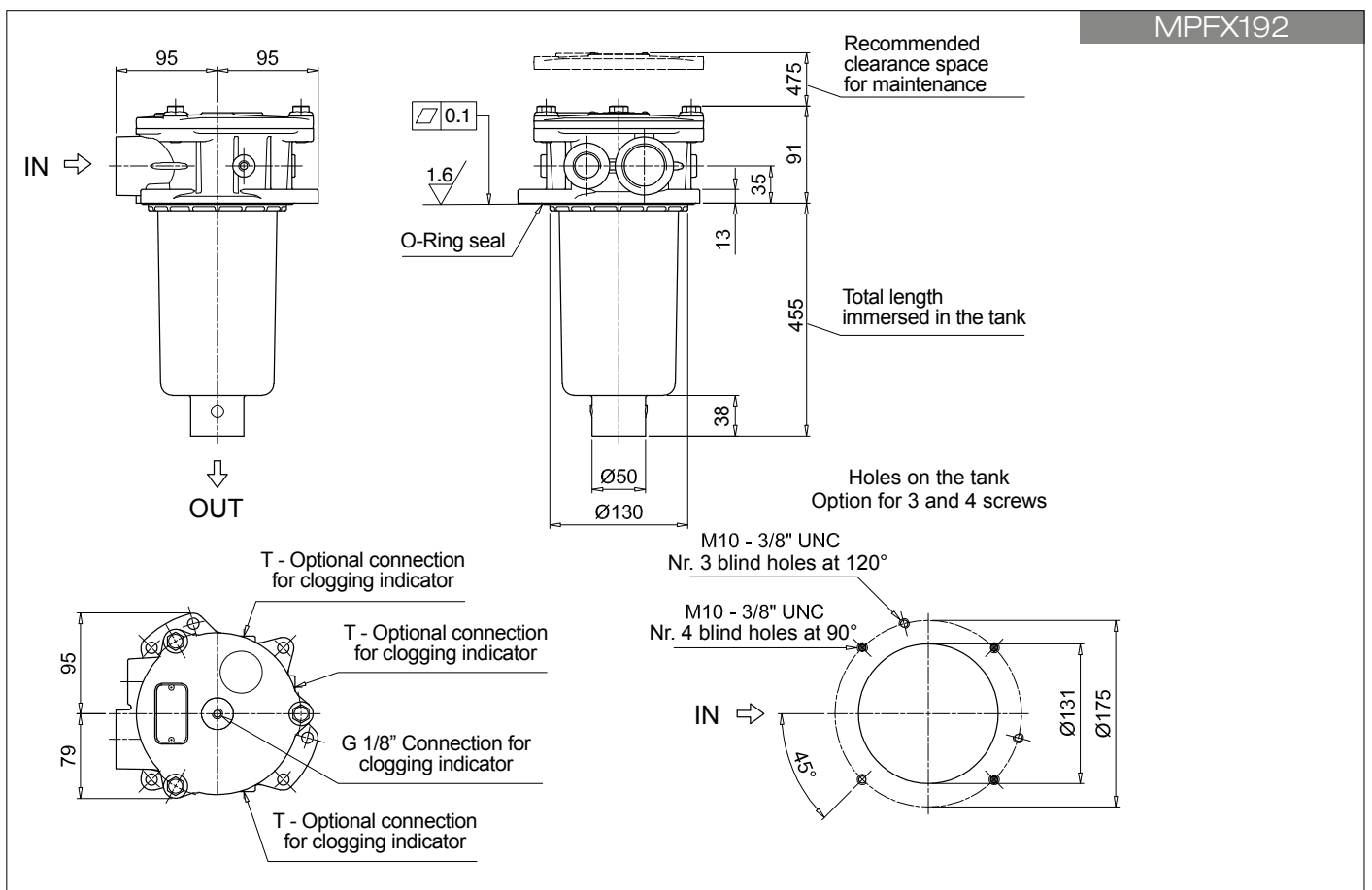
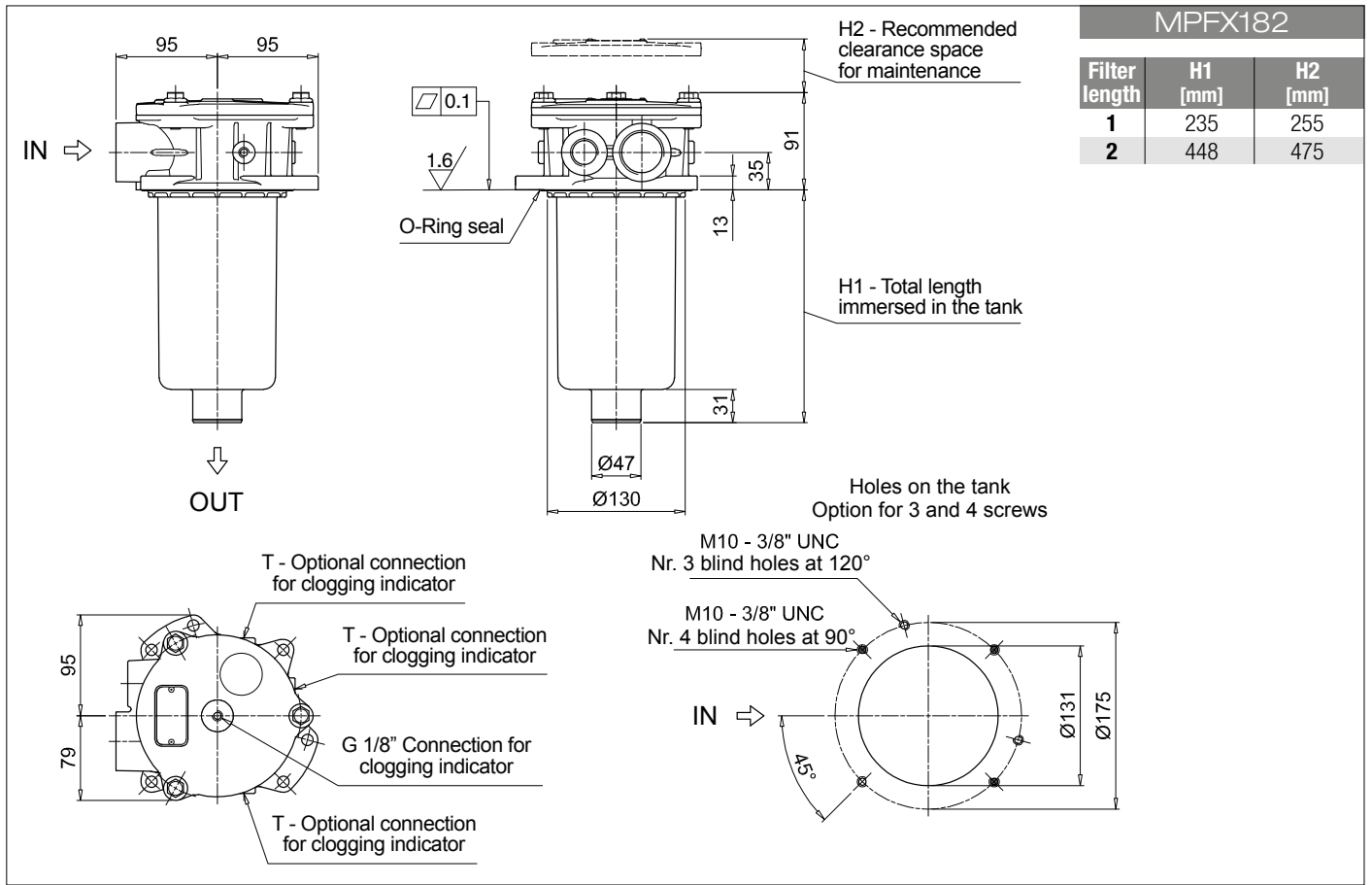
| | |
|---|--|
| BVA Axial pressure gauge | |
| BVR Radial pressure gauge | |
| BVP Visual pressure indicator with automatic reset | |
| BVQ Visual pressure indicator with manual reset | |

| | |
|---|--|
| BEA Electrical pressure indicator | |
| BEM Electrical pressure indicator | |
| BLA Electrical / visual pressure indicator | |

ADDITIONAL FEATURES

See page 262

| | |
|-------------------------------|--|
| TE Extension tube | |
| T5 Filler plug M30x1.5 | |



MPFX MPFX184 - MPFX194

Designation & Ordering code

COMPLETE FILTER

| | | | | | | | | | | | |
|--|--|--|--|----------------------------|--|-------------------------|--|-----|--|------------------------|--|
| Series and size | | Configuration example 1: MPFX184 1 A G1 A25 H E P01 | | | | | | | | | |
| MPFX184 MPFX194 Filter featuring MYCLEAN Filter Element | | Configuration example 2: MPFX194 2 V F3 P10 N B P01 | | | | | | | | | |
| Length | | Size 184 | | Size 194 | | | | | | | |
| 1 | | • | | - | | | | | | | |
| 2 | | • | | • | | | | | | | |
| Seals and treatments | | | | | | | | | | | |
| A NBR | | W NBR | | head anodized | | | | | | | |
| V FPM | | Z FPM | | head anodized | | | | | | | |
| Main Connections | | Rear connections | | Main Connections | | Rear connections | | | | | |
| G1 G 1 1/4" | | - | | G13 G 1 1/2" | | - | | | | | |
| G2 G 1 1/4" | | G 1 1/4" | | G14 G 1 1/2" | | G 1 1/4" | | | | | |
| G4 1 1/4" NPT | | - | | G15 1 1/2" NPT | | - | | | | | |
| G5 1 1/4" NPT | | 1 1/4" NPT | | G16 1 1/2" NPT | | 1 1/4" NPT | | | | | |
| G7 SAE 20 - 1 5/8" - 12 UN | | - | | F1 1 1/2" SAE 3000 psi/M | | - | | | | | |
| G8 SAE 20 - 1 5/8" - 12 UN | | SAE 20 - 1 5/8" - 12 UN | | F2 1 1/2" SAE 3000 psi/UNC | | - | | | | | |
| G10 SAE 24 - 1 7/8" - 12 UN | | - | | F3 1 1/2" SAE 3000 psi/M | | 1 1/2" SAE 3000 psi/M | | | | | |
| G11 SAE 24 - 1 7/8" - 12 UN | | SAE 20 - 1 5/8" - 12 UN | | F4 1 1/2" SAE 3000 psi/UNC | | 1 1/2" SAE 3000 psi/UNC | | | | | |
| Filtration rating (filter media) | | | | | | | | | | | |
| A03 Inorganic microfiber 3 µm | | M25 Wire mesh 25 µm | | | | | | | | | |
| A06 Inorganic microfiber 6 µm | | M60 Wire mesh 60 µm | | | | | | | | | |
| A10 Inorganic microfiber 10 µm | | M90 Wire mesh 90 µm | | | | | | | | | |
| A16 Inorganic microfiber 16 µm | | P10 Resin impregnated paper 10 µm | | | | | | | | | |
| A25 Inorganic microfiber 25 µm | | P25 Resin impregnated paper 25 µm | | | | | | | | | |
| All filter media except M60, P10 and P25 are compatible with fluids HFA, HFB and HFC | | | | | | | | | | | |
| Element Δp | | Filter media | | Axx | | Mxx | | Pxx | | | |
| N 10 bar | | - | | • | | • | | | | | |
| H 10 bar | | • | | - | | - | | | | | |
| | | | | | | | | | | Executions | |
| | | | | | | | | | | Bypass valve | |
| | | | | | | | | | | E 3 bar | |
| | | | | | | | | | | B 1.75 bar | |
| | | | | | | | | | | Base | |
| | | | | | | | | | | P01 zerospark+ | |
| | | | | | | | | | | Z01 MP Filtri standard | |
| | | | | | | | | | | Pxx Zxx Customized | |

FILTER ELEMENT

| | | | | | | | | | | | |
|--|--|--|--|-----|--|-----|--|-----|--|------------------------|--|
| Element series and size | | Configuration example 1: MFX180 1 A25 H B E P01 | | | | | | | | | |
| MFX180 Filter Element with MYCLEAN feature | | Configuration example 2: MFX180 2 P10 N V P01 | | | | | | | | | |
| Element length | | 1 | | 2 | | | | | | | |
| Filtration rating (filter media) | | | | | | | | | | | |
| A03 Inorganic microfiber 3 µm | | M25 Wire mesh 25 µm | | | | | | | | | |
| A06 Inorganic microfiber 6 µm | | M60 Wire mesh 60 µm | | | | | | | | | |
| A10 Inorganic microfiber 10 µm | | M90 Wire mesh 90 µm | | | | | | | | | |
| A16 Inorganic microfiber 16 µm | | P10 Resin impregnated paper 10 µm | | | | | | | | | |
| A25 Inorganic microfiber 25 µm | | P25 Resin impregnated paper 25 µm | | | | | | | | | |
| Element Δp | | Filter media | | Axx | | Mxx | | Pxx | | | |
| N 10 bar | | - | | • | | • | | | | | |
| H 10 bar | | • | | - | | - | | | | | |
| | | | | | | | | | | Executions | |
| | | | | | | | | | | Seals | |
| | | | | | | | | | | B NBR | |
| | | | | | | | | | | V FPM | |
| | | | | | | | | | | Bypass valve | |
| | | | | | | | | | | E 3 bar | |
| | | | | | | | | | | - 1.75 bar | |
| | | | | | | | | | | Base | |
| | | | | | | | | | | P01 zerospark+ | |
| | | | | | | | | | | Z01 MP Filtri standard | |
| | | | | | | | | | | Pxx Zxx Customized | |

CLOGGING INDICATORS

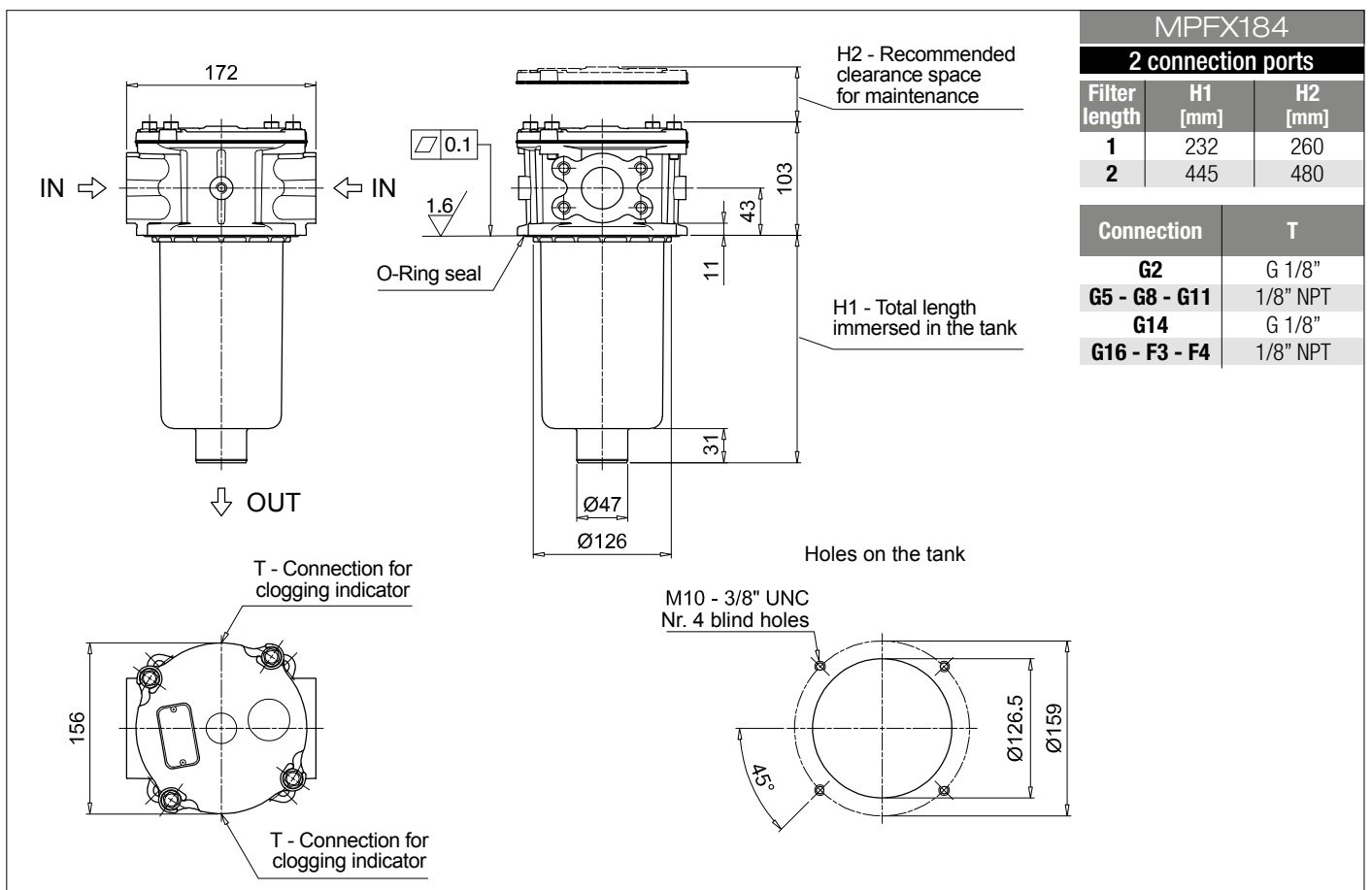
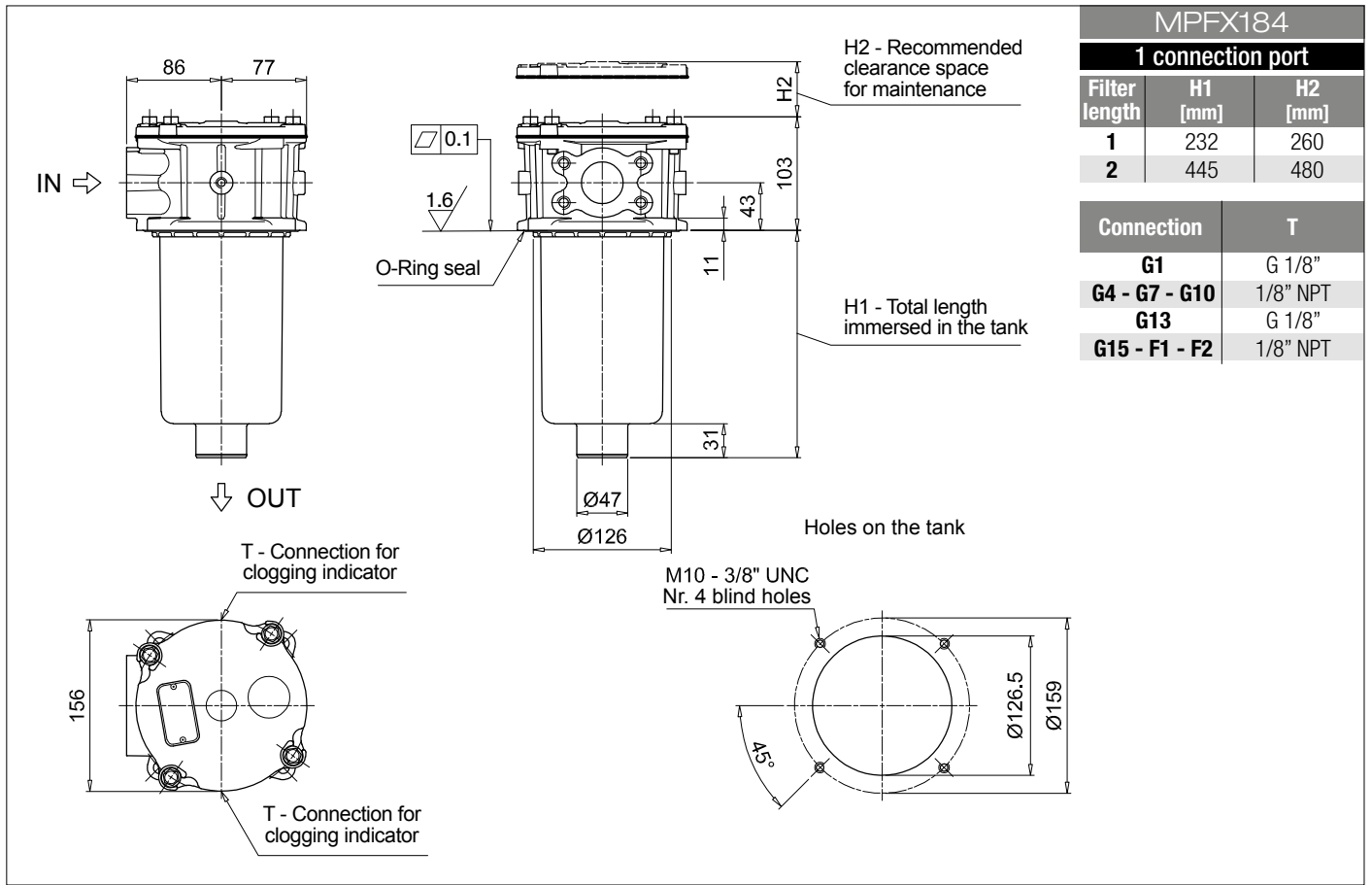
See page 680-681

| | |
|---|---|
| BVA Axial pressure gauge | BEA Electrical pressure indicator |
| BVR Radial pressure gauge | BEM Electrical pressure indicator |
| BVP Visual pressure indicator with automatic reset | BLA Electrical / visual pressure indicator |
| BVQ Visual pressure indicator with manual reset | |

ADDITIONAL FEATURES

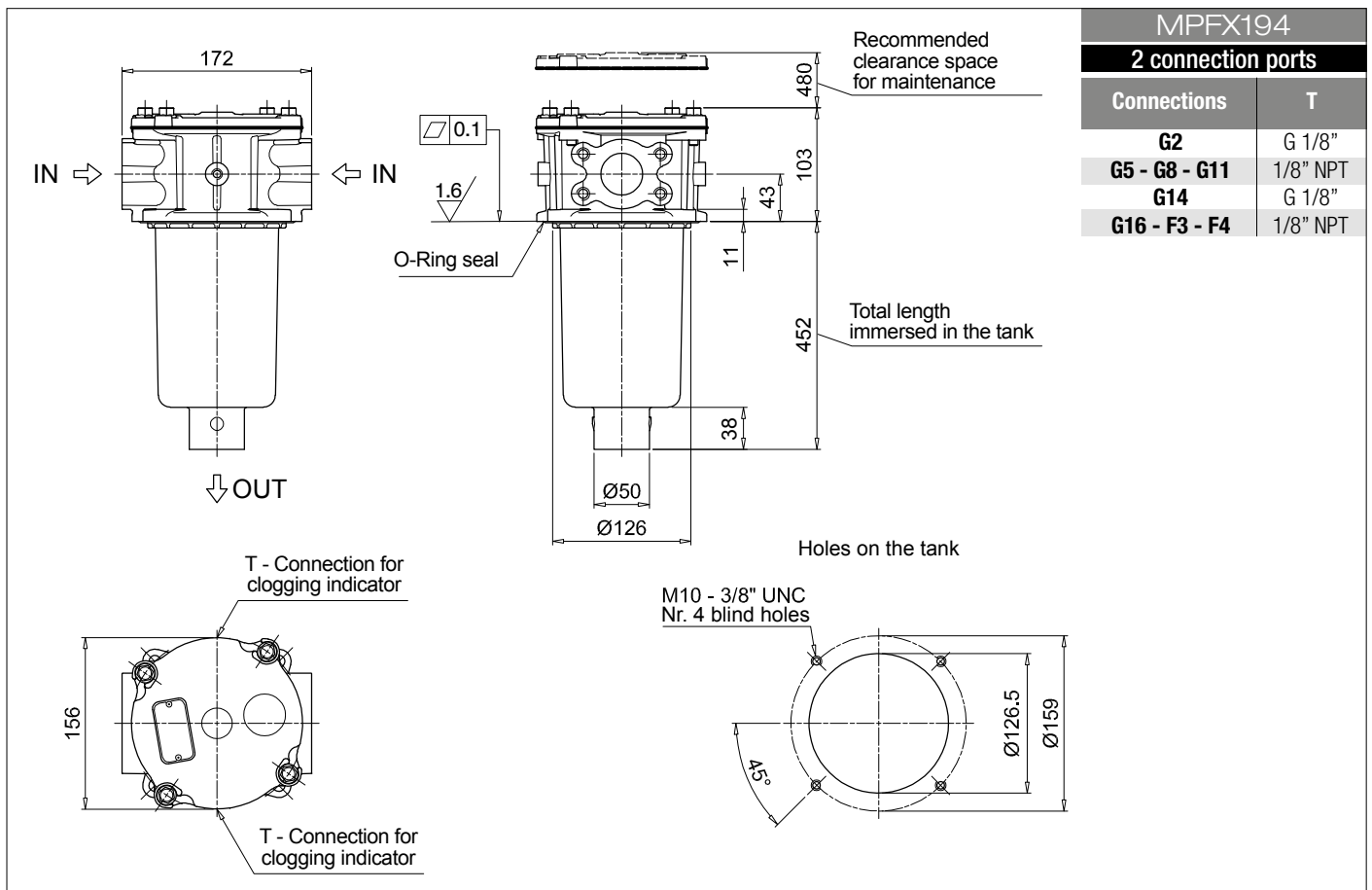
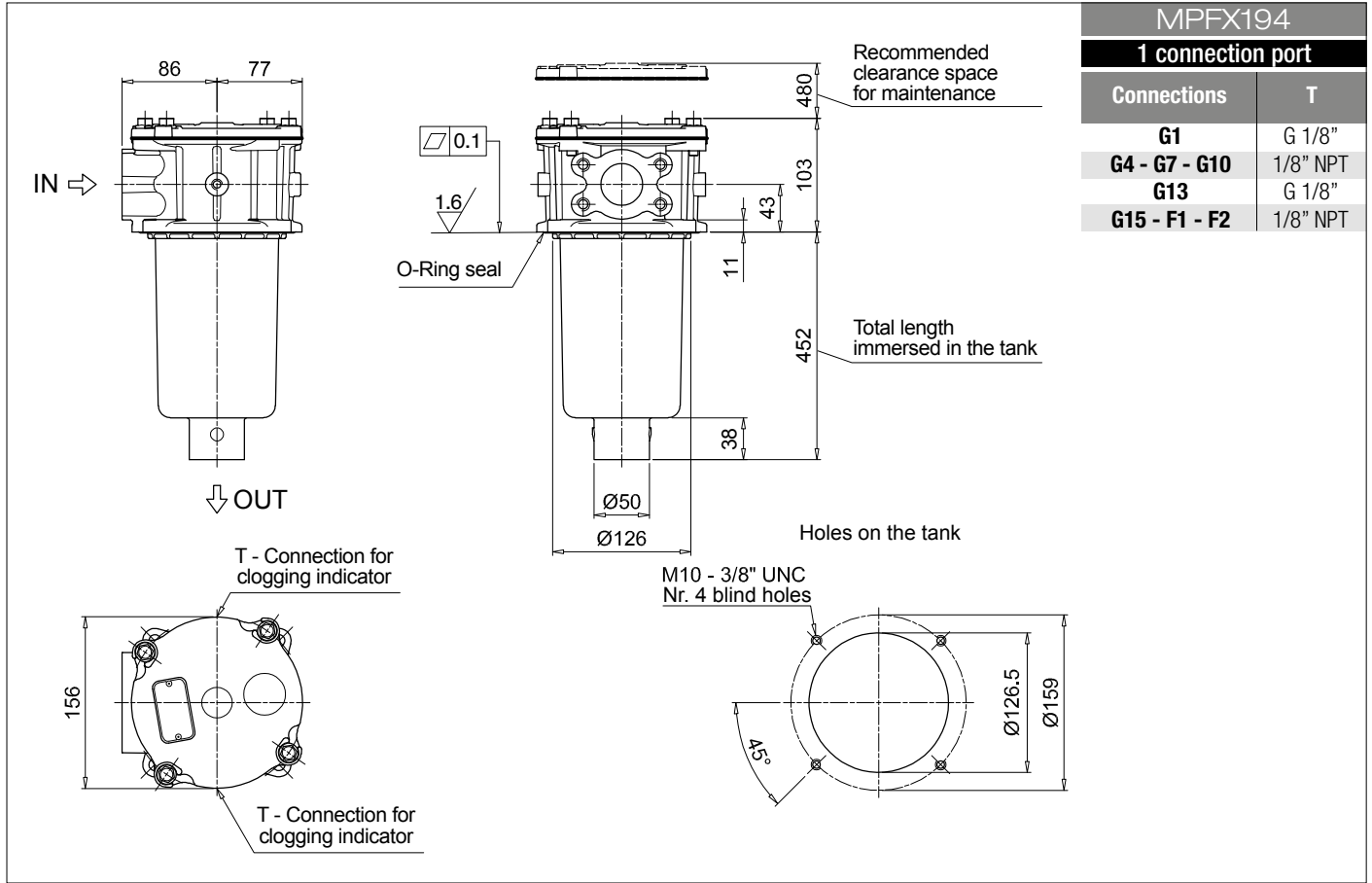
See page 262

| |
|-------------------------------|
| TE Extension tube |
| T5 Filler plug M30x1.5 |



MPFX MPFX184 - MPFX194

Dimensions



MPFX MPFX400

Designation & Ordering code

COMPLETE FILTER

| | | | | | | | | | |
|---|--------------------------|----------------|----------|----------|-----------|------------|----------|----------|------------|
| Series and size MPFX400 Filter featuring MYCLEAN Filter Element | Configuration example 1: | MPFX400 | 1 | A | G9 | A25 | H | B | P01 |
| | Configuration example 2: | MPFX400 | 2 | V | G4 | P10 | N | E | P01 |

| | |
|---------------|--------------------------------|
| Length | 1 2 3 |
|---------------|--------------------------------|

| | |
|-----------------------------|--|
| Seals and treatments | |
| A NBR | |
| V FPM | |
| W NBR head anodized | |
| Z FPM head anodized | |

| | |
|----------------------|-----------------------------------|
| Connections | |
| G1 G 1 1/4" | G6 2" NPT |
| G2 G 1 1/2" | G7 SAE 20 - 1 5/8" - 12 UN |
| G3 G 2" | G8 SAE 24 - 1 7/8" - 12 UN |
| G4 1 1/4" NPT | G9 SAE 32 - 2 1/2" - 12 UN |
| G5 1 1/2" NPT | |

| | |
|---|--|
| Filtration rating (filter media) | |
| A03 Inorganic microfiber 3 µm | M25 Wire mesh 25 µm |
| A06 Inorganic microfiber 6 µm | M60 Wire mesh 60 µm |
| A10 Inorganic microfiber 10 µm | M90 Wire mesh 90 µm |
| A16 Inorganic microfiber 16 µm | P10 Resin impregnated paper 10 µm |
| A25 Inorganic microfiber 25 µm | P25 Resin impregnated paper 25 µm |

All filter media except M60, P10 and P25 are compatible with fluids HFA, HFB and HFC

| | | | | |
|-------------------|--|---------------------|------------|------------|
| Element Δp | | Filter media | | |
| N 10 bar | | Axx | Mxx | Pxx |
| H 10 bar | | • | - | - |

| | |
|---------------------|--|
| Bypass valve | |
| E 3 bar | |
| B 1.75 bar | |

| | | |
|-------------------|--|--------------------|
| Executions | | |
| Base | zerespark | |
| P01 | Z01 | MP Filtri standard |
| Pxx | Zxx | Customized |

FILTER ELEMENT

| | | | | | | | | |
|--|--------------------------|---------------|----------|------------|----------|----------|------------|------------|
| Element series and size MFx400 Filter Element with MYCLEAN feature | Configuration example 1: | MFx400 | 1 | A25 | H | B | P01 | |
| | Configuration example 2: | MFx400 | 2 | P10 | N | V | E | P01 |

| | |
|-----------------------|--------------------------------|
| Element length | 1 2 3 |
|-----------------------|--------------------------------|

| | |
|---|--|
| Filtration rating (filter media) | |
| A03 Inorganic microfiber 3 µm | M25 Wire mesh 25 µm |
| A06 Inorganic microfiber 6 µm | M60 Wire mesh 60 µm |
| A10 Inorganic microfiber 10 µm | M90 Wire mesh 90 µm |
| A16 Inorganic microfiber 16 µm | P10 Resin impregnated paper 10 µm |
| A25 Inorganic microfiber 25 µm | P25 Resin impregnated paper 25 µm |

| | | | | |
|-------------------|--|---------------------|------------|------------|
| Element Δp | | Filter media | | |
| N 10 bar | | Axx | Mxx | Pxx |
| H 10 bar | | • | - | - |

| | |
|--------------|--|
| Seals | |
| B NBR | |
| V FPM | |

| | |
|---------------------|--|
| Bypass valve | |
| E 3 bar | |
| - 1.75 bar | |

| | | |
|-------------------|--|--------------------|
| Executions | | |
| Base | zerespark | |
| P01 | Z01 | MP Filtri standard |
| Pxx | Zxx | Customized |

CLOGGING INDICATORS

See page 680-681

| | |
|---|--|
| BVA Axial pressure gauge | |
| BVR Radial pressure gauge | |
| BVP Visual pressure indicator with automatic reset | |
| BVQ Visual pressure indicator with manual reset | |

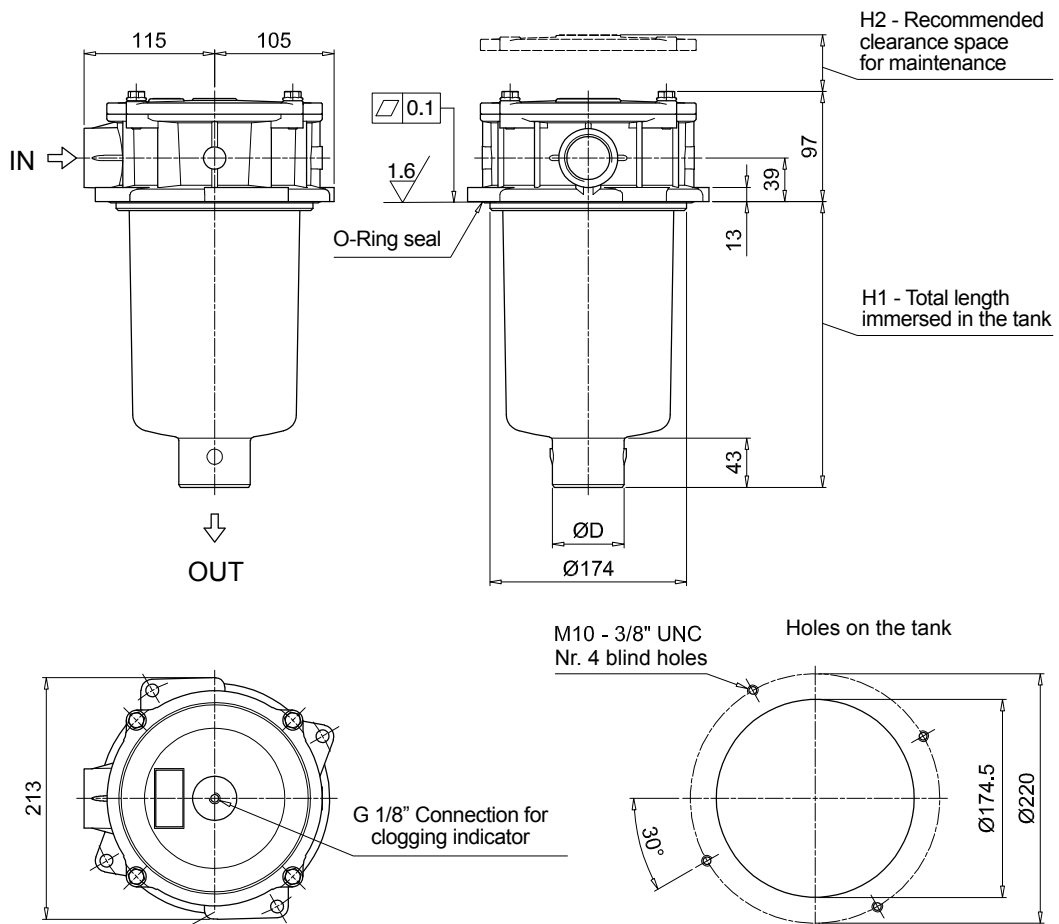
| | |
|---|--|
| BEA Electrical pressure indicator | |
| BEM Electrical pressure indicator | |
| BLA Electrical / visual pressure indicator | |

ADDITIONAL FEATURES

See page 262

| | |
|-------------------------------|--|
| T5 Filler plug M30x1.5 | |
|-------------------------------|--|

| MPFX400 | | | |
|---------------|---------|---------|--------|
| Filter length | H1 [mm] | H2 [mm] | D [mm] |
| 1 | 187 | 210 | 50 |
| 2 | 252 | 270 | 63 |
| 3 | 300 | 315 | 63 |



MPFX MPFX410

Designation & Ordering code

COMPLETE FILTER

| | |
|--|--|
| Series and size | Configuration example 1: MPFX410 1 V G4 1 P10 N E P01 |
| MPFX410 Filter featuring MY CLEAN Filter Element | Configuration example 2: MPFX410 1 A G1 1 A25 H B P01 |
| Length | 1 2 3 |
| Seals and treatments | |
| A NBR | |
| V FPM | |
| W NBR head anodized | |
| Z FPM head anodized | |
| Main Connections | Aux size 1 |
| G1 G 1 1/4" | G 1" |
| G4 1 1/4" NPT | 1" NPT |
| G7 SAE 20 - 1 5/8" - 12 UN | SAE 16 - 1 5/16" - 12 UN |
| Aux connection - see previous table | |
| 1 Aux size 1 | |
| Filtration rating (filter media) | |
| A03 Inorganic microfiber 3 µm | M25 Wire mesh 25 µm |
| A06 Inorganic microfiber 6 µm | M60 Wire mesh 60 µm |
| A10 Inorganic microfiber 10 µm | M90 Wire mesh 90 µm |
| A16 Inorganic microfiber 16 µm | P10 Resin impregnated paper 10 µm |
| A25 Inorganic microfiber 25 µm | P25 Resin impregnated paper 25 µm |

All filter media except M60, P10 and P25 are compatible with fluids HFA, HFB and HFC

| Element Δp | Filter media | | | Bypass valve | Executions | | |
|-----------------|--------------|-----|-----|-------------------|------------|--|--------------------|
| | Axx | Mxx | Pxx | | Base | zere spark | |
| N 10 bar | - | • | • | E 3 bar | P01 | Z01 | MP Filtri standard |
| H 10 bar | • | - | - | B 1.75 bar | Pxx | Zxx | Customized |

FILTER ELEMENT

| | |
|---|--|
| Element series and size | Configuration example 1: MFX400 1 P10 N V E P01 |
| MFX400 Filter Element with MY CLEAN feature | Configuration example 2: MFX400 1 A25 H B P01 |
| Element length | 1 2 3 |
| Filtration rating (filter media) | |
| A03 Inorganic microfiber 3 µm | M25 Wire mesh 25 µm |
| A06 Inorganic microfiber 6 µm | M60 Wire mesh 60 µm |
| A10 Inorganic microfiber 10 µm | M90 Wire mesh 90 µm |
| A16 Inorganic microfiber 16 µm | P10 Resin impregnated paper 10 µm |
| A25 Inorganic microfiber 25 µm | P25 Resin impregnated paper 25 µm |

| Element Δp | Filter media | | | Seals | Bypass valve | Executions | | |
|-----------------|--------------|-----|-----|--------------|----------------|------------|--|--------------------|
| | Axx | Mxx | Pxx | | | Base | zere spark | |
| N 10 bar | - | • | • | B NBR | E 3 bar | P01 | Z01 | MP Filtri standard |
| H 10 bar | • | - | - | V FPM | - 1.75 bar | Pxx | Zxx | Customized |

CLOGGING INDICATORS

See page 680-681

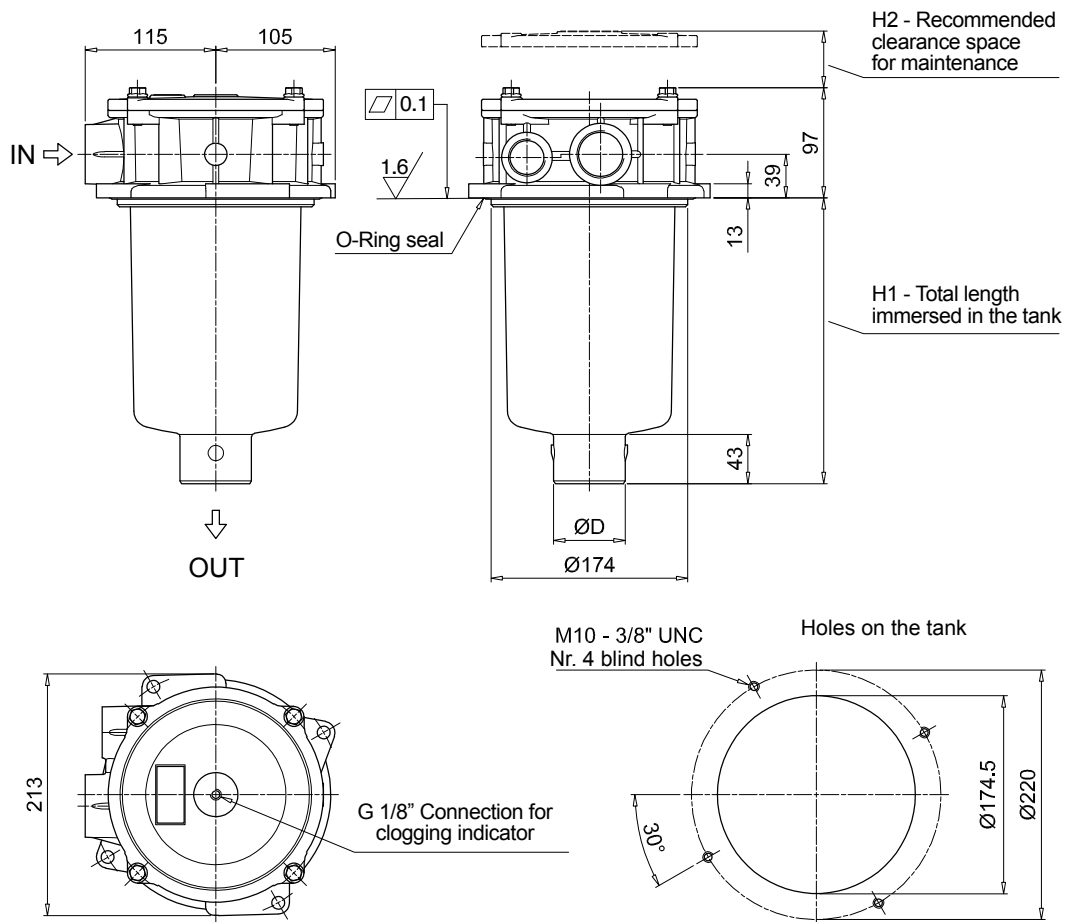
| | |
|---|---|
| BVA Axial pressure gauge | BEA Electrical pressure indicator |
| BVR Radial pressure gauge | BEM Electrical pressure indicator |
| BVP Visual pressure indicator with automatic reset | BLA Electrical / visual pressure indicator |
| BVQ Visual pressure indicator with manual reset | |

ADDITIONAL FEATURES

See page 262

| |
|-------------------------------|
| T5 Filler plug M30x1.5 |
|-------------------------------|

| MPFX410 | | | |
|---------------|---------|---------|--------|
| Filter length | H1 [mm] | H2 [mm] | D [mm] |
| 1 | 187 | 210 | 50 |
| 2 | 252 | 270 | 63 |
| 3 | 300 | 315 | 63 |



MPFX MPFX450 - MPFX451 - MPFX750

Designation & Ordering code

COMPLETE FILTER

| | | | | | | | | | | | | | | |
|--|--|--|--|--|-----------------|-----------------|---------------------|--|------------|--|-------------------------------|-------------------|---------------------------|--|
| Series and size | | | | Configuration example 1: MPFX450 1 A G1 A25 H B P01 | | | | | | | | | | |
| MPFX450 MPFX451 MPFX750 | | | | Configuration example 2: MPFX750 1 V F2 P10 N E P01 | | | | | | | | | | |
| Filter featuring MYCLEAN Filter Element | | | | | | | | | | | | | | |
| Length | | | | MPFX 450 | MPFX 451 | MPFX 750 | | | | | | | | |
| 1 | | | | • | • | • | | | | | | | | |
| 2 | | | | • | • | - | | | | | | | | |
| 3 | | | | • | • | - | | | | | | | | |
| Seals and treatments | | | | | | | | | | | | | | |
| A NBR | | W NBR head anodized | | | | | | | | | | | | |
| V FPM | | Z FPM head anodized | | | | | | | | | | | | |
| Connections | | | | Aux (only size 451) | | | | | | | | | | |
| G1 G 2" | | | | G 3/4" | | | | | | | | | | |
| G4 2" NPT | | | | 3/4" NPT | | | | | | | | | | |
| G7 SAE 32 - 2 1/2" - 12 UN | | | | SAE 12 - 1 1/16" - 12 UN | | | | | | | | | | |
| F1 2" SAE 3000 psi/M | | | | G 3/4" | | | | | | | | | | |
| F2 2" SAE 3000 psi/UNC | | | | 3/4" NPT | | | | | | | | | | |
| Filtration rating (filter media) | | | | | | | | | | | | | | |
| A03 Inorganic microfiber 3 µm | | M25 Wire mesh 25 µm | | | | | | | | | | | | |
| A06 Inorganic microfiber 6 µm | | M60 Wire mesh 60 µm | | | | | | | | | | | | |
| A10 Inorganic microfiber 10 µm | | M90 Wire mesh 90 µm | | | | | | | | | | | | |
| A16 Inorganic microfiber 16 µm | | P10 Resin impregnated paper 10 µm | | | | | | | | | | | | |
| A25 Inorganic microfiber 25 µm | | P25 Resin impregnated paper 25 µm | | | | | | | | | | | | |
| All filter media except M60, P10 and P25 are compatible with fluids HFA, HFB and HFC | | | | | | | | | | | | | | |
| Element Δp | | | | Filter media | | | Bypass valve | | | | | Executions | | |
| N 10 bar | | | | Axx | Mxx | Pxx | E 3 bar | | P01 | | zereospark⁺ | | MP Filtri standard | |
| H 10 bar | | | | • | - | - | B 1.75 bar | | Pxx | | Zxx | | Customized | |

FILTER ELEMENT

| | | | | | | | | | | | | | | | | |
|--|--|--|--|--|-----------------|-----------------|--------------|--|---------------------|--|-------------------|--|-------------------------------|--|---------------------------|--|
| Element series and size | | | | Configuration example 1: MFx400 1 A25 H B P01 | | | | | | | | | | | | |
| MFx400 MFx750 | | | | Configuration example 2: MFx750 1 P10 N V E P01 | | | | | | | | | | | | |
| Filter Element with MYCLEAN feature | | | | | | | | | | | | | | | | |
| Element length | | | | MPFX 450 | MPFX 451 | MPFX 750 | | | | | | | | | | |
| 1 | | | | • | • | • | | | | | | | | | | |
| 2 | | | | • | • | - | | | | | | | | | | |
| 3 | | | | • | • | - | | | | | | | | | | |
| Filtration rating (filter media) | | | | | | | | | | | | | | | | |
| A03 Inorganic microfiber 3 µm | | M25 Wire mesh 25 µm | | | | | | | | | | | | | | |
| A06 Inorganic microfiber 6 µm | | M60 Wire mesh 60 µm | | | | | | | | | | | | | | |
| A10 Inorganic microfiber 10 µm | | M90 Wire mesh 90 µm | | | | | | | | | | | | | | |
| A16 Inorganic microfiber 16 µm | | P10 Resin impregnated paper 10 µm | | | | | | | | | | | | | | |
| A25 Inorganic microfiber 25 µm | | P25 Resin impregnated paper 25 µm | | | | | | | | | | | | | | |
| Element Δp | | | | Filter media | | | Seals | | Bypass valve | | Executions | | | | | |
| N 10 bar | | | | Axx | Mxx | Pxx | B NBR | | E 3 bar | | P01 | | zereospark⁺ | | MP Filtri standard | |
| H 10 bar | | | | • | - | - | V FPM | | - 1.75 bar | | Pxx | | Zxx | | Customized | |

CLOGGING INDICATORS

See page 680-681

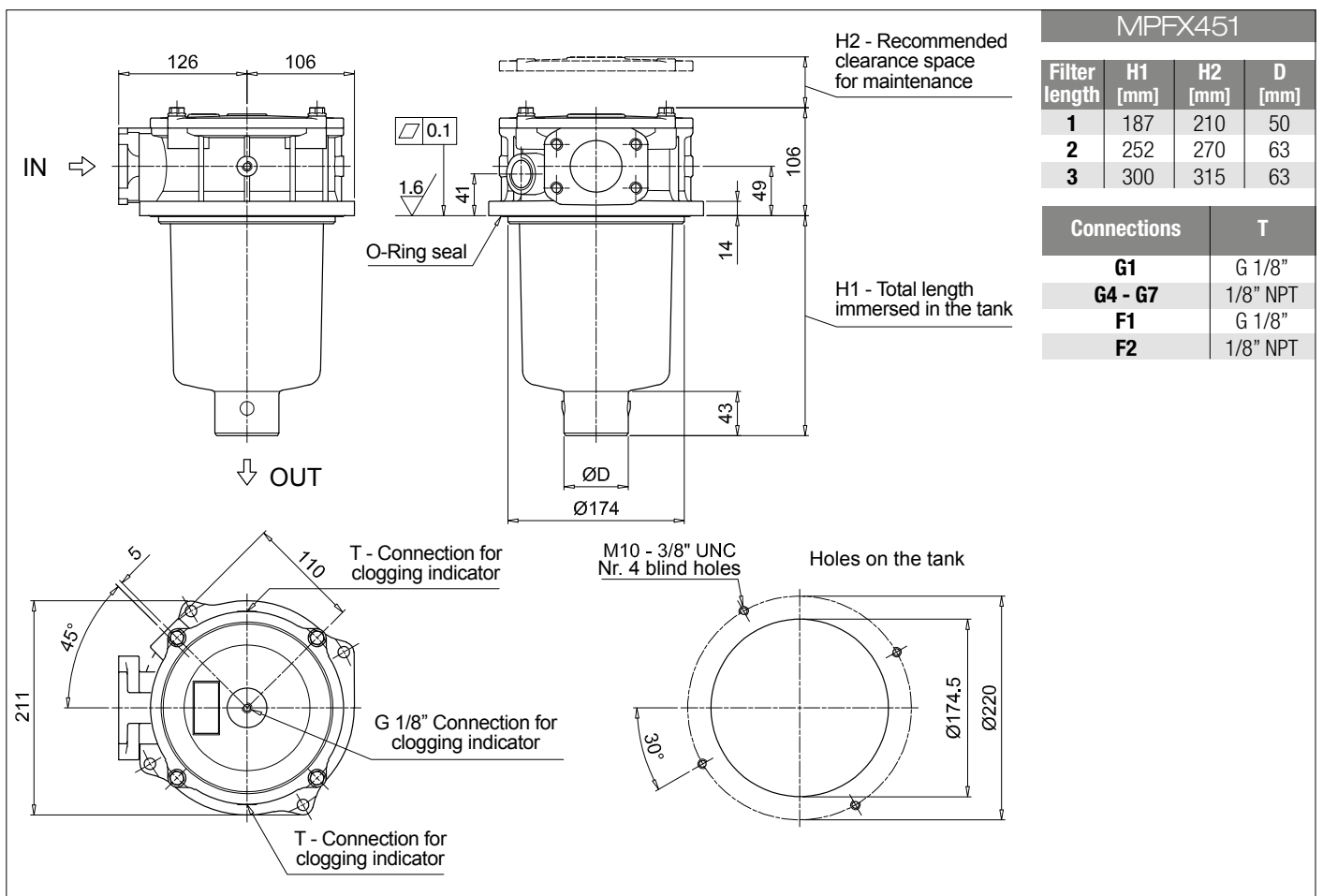
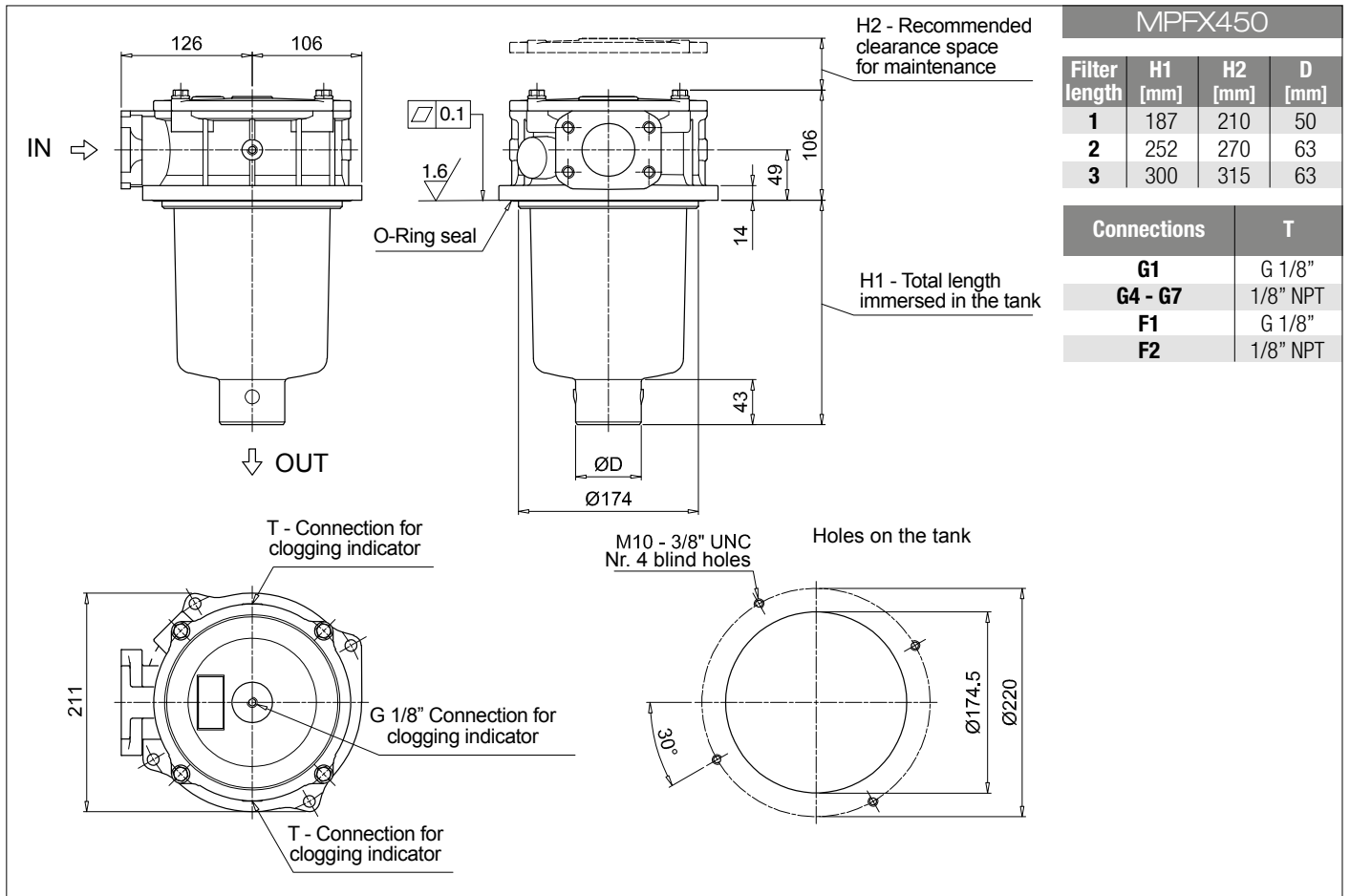
| |
|---|
| BVA Axial pressure gauge |
| BVR Radial pressure gauge |
| BVP Visual pressure indicator with automatic reset |
| BVQ Visual pressure indicator with manual reset |

| |
|---|
| BEA Electrical pressure indicator |
| BEM Electrical pressure indicator |
| BLA Electrical / visual pressure indicator |

ADDITIONAL FEATURES

See page 262

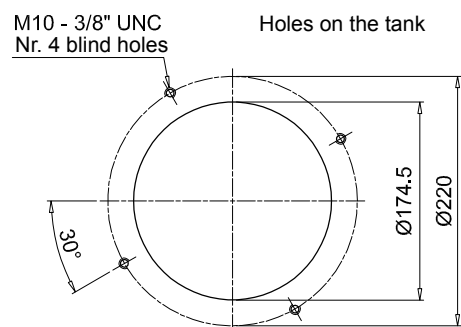
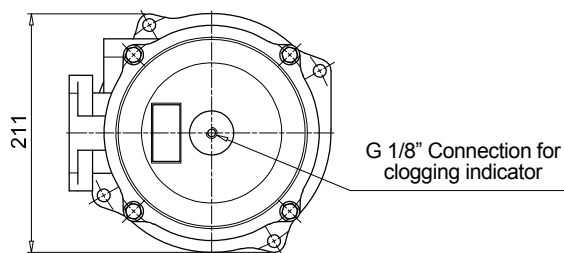
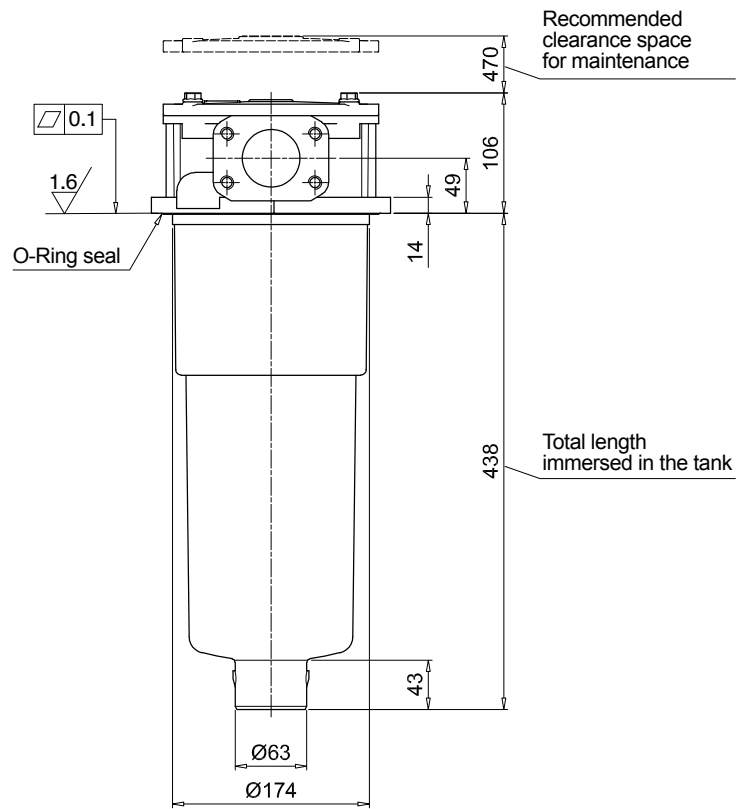
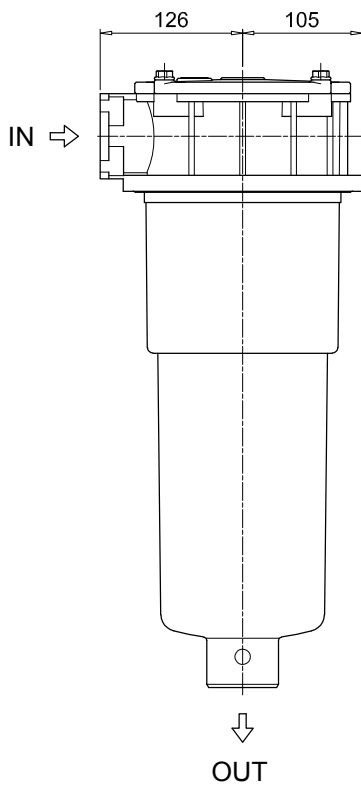
| |
|-------------------------------|
| T5 Filler plug M30x1.5 |
|-------------------------------|



MPFX MPFX450 - MPFX451 - MPFX750

Dimensions

MPFX750



MPFX 100

MPFX 181

O-RING SEAL

| | Q.ty: 1 pc. | Q.ty: 1 pc. | |
|---------------------|-----------------|----------------------|----------|
| Item: | 2 | 3 (3a ÷ 3d) | |
| Filter series | Filter element | Seal Kit code number | |
| | | NBR | FPM |
| MPFX 030 | See order table | 02050675 | 02050676 |
| MPFX 100-110 | | 02050677 | 02050678 |
| MPFX 181-182 | | 02050681 | 02050682 |
| MPFX 184 | | 02050685 | 02050686 |
| MPFX 191-192 | | 02050683 | 02050684 |
| MPFX 194 | | 02050687 | 02050688 |
| MPFX 400-410 | | 02050695 | 02050696 |
| MPFX 450-451 | | 02050697 | 02050698 |
| MPFX 750 | | 02050699 | 02050700 |

MPFX 104

MPFX 181

FLAT SEAL

| | Q.ty: 1 pc. | Q.ty: 1 pc. | |
|---------------------|-----------------|----------------------|----------|
| Item: | 2 | 3 (3a ÷ 3d) | |
| Filter series | Filter element | Seal Kit code number | |
| | | NBR | FPM |
| MPFX 104 | See order table | 02050679 | 02050680 |
| MPFX 181-182 | | 02050691 | 02050692 |
| MPFX 191-192 | | 02050691 | 02050692 |

Accessories

POLYAMIDE EXTENSION TUBE

H1 - Total length immersed in the tank

Configuration example: **TE** **40** **A** **250**

| Series | Size | Material | Length | H [mm] |
|-----------|------|----------|------------|--------|
| TE | | | 200 | 200 |
| | | | 250 | 250 |
| | | | 300 | 300 |
| | | | 350 | 350 |
| | | | 400 | 400 |
| | | | 450 | 450 |
| | | | 500 | 500 |

| Size | Ø D [mm] | Material |
|-----------|----------|--------------------|
| 25 | 25 | A Polyamide |
| 32 | 32 | |
| 40 | 40 | |

| COMPATIBILITY TABLE | | | | | | | | | | | | | | | | |
|---------------------|-------------|-------------|-----|---------------|------|------|------|-----|-----|-----|-----|-----|-----|-----|-----|-----|
| | | Tube length | | | | | | | | | | | | | | |
| Filter series | Filter size | | | Filter length | TE25 | TE32 | TE40 | 200 | 250 | 300 | 350 | 400 | 450 | 500 | | |
| H1 [mm] | | | | | | | | | | | | | | | | |
| MPF - MPFX | 30 | | | 1 | • | - | - | 266 | 316 | 366 | 416 | 466 | 516 | 566 | | |
| MPF | 100 | 104 | 110 | 1 | - | • | - | 275 | 325 | 375 | 425 | 475 | 525 | 575 | | |
| | | | | 2 | - | - | - | 322 | 372 | 422 | 472 | 522 | 572 | 622 | | |
| | | | | 3 | - | - | • | 400 | 450 | 500 | 550 | 600 | 650 | 700 | | |
| | | | | 4 | - | - | - | 502 | 552 | 602 | 652 | 702 | 752 | 802 | | |
| MPFX | 100 | 104 | 110 | 1 | - | - | • | 277 | 327 | 377 | 427 | 477 | 527 | 577 | | |
| | | | | 2 | - | - | • | 322 | 372 | 422 | 472 | 522 | 572 | 622 | | |
| | | | | 3 | - | - | - | 400 | 450 | 500 | 550 | 600 | 650 | 700 | | |
| | | | | 4 | - | - | - | 502 | 552 | 602 | 652 | 702 | 752 | 802 | | |
| MPF MPFX | 181 | 182 | 184 | 1 | - | - | • | 410 | 460 | 510 | 560 | 610 | 660 | 710 | | |
| | | | | 2 | - | - | - | 623 | 673 | 723 | 773 | 823 | 873 | 923 | | |
| MPT MPTX | 025 | | 027 | | 1 | • | - | - | 278 | 328 | 378 | 428 | 478 | 528 | 578 | |
| | | | | | 2 | - | - | - | 342 | 392 | 442 | 492 | 542 | 592 | 642 | |
| | | | | | 3 | - | - | - | 380 | 430 | 480 | 530 | 580 | 630 | 680 | |
| MPT | 101 | 104 | 110 | 114 | 120 | 1 | - | • | - | 273 | 323 | 373 | 423 | 473 | 523 | 573 |
| | | | | | | 2 | - | - | - | 320 | 370 | 420 | 470 | 520 | 570 | 620 |
| | | | | | | 3 | - | - | • | 396 | 446 | 496 | 546 | 596 | 646 | 696 |
| | | | | | | 4 | - | - | - | 498 | 548 | 598 | 648 | 698 | 748 | 798 |
| MPTX | 101 | 104 | 110 | 114 | 120 | 1 | - | - | • | 273 | 323 | 373 | 423 | 473 | 523 | 573 |
| | | | | | | 2 | - | - | - | 318 | 368 | 418 | 468 | 518 | 568 | 618 |
| | | | | | | 3 | - | - | - | 396 | 446 | 496 | 546 | 596 | 646 | 696 |
| | | | | | | 4 | - | - | - | 498 | 548 | 598 | 648 | 698 | 748 | 798 |

STEEL EXTENSION TUBE

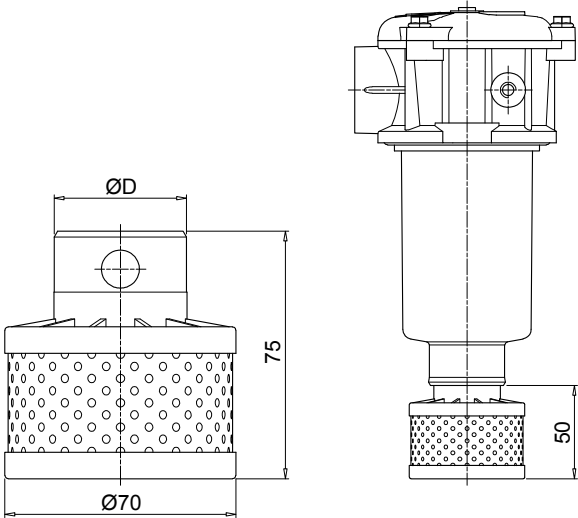
H1 - Total length immersed in the tank

Configuration example: **MPF191** **2** **A** **F1** **A10** **H** **B** **S60**

| Length | H1 [mm] |
|------------|---------|
| S30 | 300 |
| S35 | 350 |
| S40 | 400 |
| S45 | 450 |
| S50 | 500 |
| S60 | 600 |
| S70 | 700 |
| S80 | 800 |
| S90 | 900 |

| COMPATIBILITY TABLE | | | | | | | |
|---------------------|-------------|----------|-----|---------------|----|----|---|
| | | Ø D [mm] | | | | | |
| Filter series | Filter size | | | Filter length | 52 | 65 | |
| MPF | 191 | 192 | 194 | 2 | • | - | |
| | | | | 1 | • | - | |
| | 400 | 410 | 450 | 451 | 2 | - | • |
| | | | | | 3 | - | - |
| | 750 | | | | 1 | - | • |

DIFFUSER WITH FAST LOCK CONNECTION

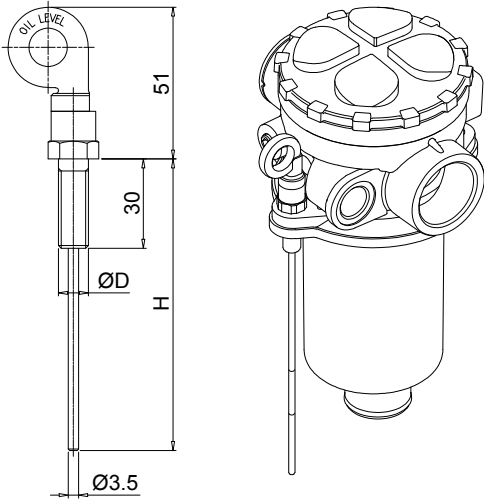


Configuration example: **DFS 32 A 075**

| Series | | DFS |
|---------|----------|---------------------|
| Size | | 32 |
| Size | ø D [mm] | 40 40 |
| Version | | A Standard |
| Length | | 075 Standard |

| COMPATIBILITY TABLE | | | | | | | | |
|---------------------|-------------|-----|-----|---------------|-------|-------|---|---|
| Filter series | Filter size | | | Filter Length | DFS32 | DFS40 | | |
| MPF | 100 | 104 | 110 | 1 | • | - | | |
| | | | | 2 | - | - | | |
| | | | | 3 | - | • | | |
| | | | | 4 | - | - | | |
| MPFX | 100 | 104 | 110 | 1 | - | • | | |
| | | | | 2 | - | • | | |
| | | | | 3 | - | - | | |
| | | | | 4 | - | - | | |
| MPT | 101 | 104 | 110 | 114 | 120 | 1 | • | - |
| | | | | | | 2 | - | - |
| | | | | | | 3 | - | • |
| | | | | | | 4 | - | - |
| MPTX | 101 | 104 | 110 | 114 | 120 | 1 | - | • |
| | | | | | | 2 | - | • |
| | | | | | | 3 | - | - |
| | | | | | | 4 | - | - |

DIPSTICK



Configuration example: **DPT 20 M10 A P01**

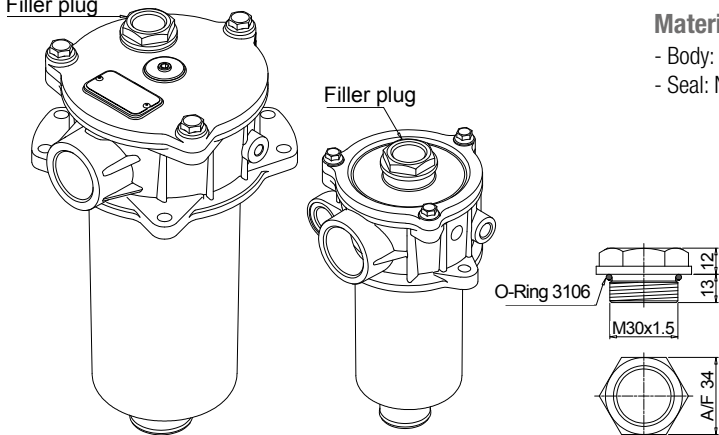
| Series | | DPT |
|-----------|--------|---------------|
| Length | H [mm] | 20 134 |
| 25 | 184 | |
| 30 | 234 | |
| 35 | 334 | |

Materials: - Screw: phosphatized steel
- Stick: phosphatized steel
- Handle: Polyamide

Technical data: Working temperature: from -25 °C to +110 °C

| Fastening | | M8 Fastening with screws ø D = M8 |
|-----------|--|--|
| Seals | | A NBR |
| | | V FPM |
| Execution | | P01 MP Filtri standard |
| | | Pxx Customized |

FILLER PLUG



Materials: - Body: Polyamide
- Seal: NBR

Technical data: Tightening torque: 15 N·m

O-Ring 3106

For any further information, please, contact our commercial dept.