

**POWER
TRANSMISSION**

**PRODUCT
RANGE**



PASSION T PERFORM



PRODUCTS

LMG

One-piece bell-housing, especially suitable for gear pumps and small piston pumps.



LDC

Consist of two mounted parts with screws for motor and pumps.



LMS

Featuring optagonal damping ring to reduce the noise generated by vibration between pumps and motors.



MULTI-COMPONENTS

Modular systems for large pumps. Comprised of a motor flange, an adaptor and a pump flange, the system is highly flexible offering multiple assembly combinations.



SGEA-SGEG-SGES-SGEK-SGDR

Flexible couplings for IEC electric motors and hydraulic pumps:

- SGEA Series in Aluminum
- SGEG Series in Cast Iron
- SGES Series in Steel
- SGEK Series in Aluminum
- SGEK Series in Cast Iron
- SGDR Series in Steel

ROTAFIT



AKG

Complete couplings for hydraulic pumps and IEC electric motors:

- AKG Series in Aluminum
- AKG Series in Cast Iron
- AKG Series in Steel

ATEX 2014/34/UE & U.K. Regulation
S.I. 2016 No. 1107 (as amended)



EGE

Spider for torque transmission:

- EGE Series in NBR
- EGE RR Series in Polyurethane



ACCESSORIES

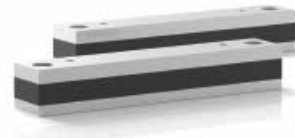
PDMA

Mounting feet to support the motor-pump units, assembled on bell-housings.



MPDR

Damping rods, mounting rails with NBR insert, suitable to reduce the vibrations.



CLEANING COVERS

Cleaning covers with diameter 275, 350, 400 and 475 mm conforming to DIN 24339.



ANMA

Damping rings for vertical installation of the motor-pump units.



BELL-HOUSING

For gear, piston, vane and screw pumps.

Gear pumps



IEC Electric Motors	European std						German std - Bosch		
	0,5	1	2	3	3,5	4	ZB	ZF	ZG
IEC 63 Ø140 - d.11x23	•	•	•				•		
IEC 71 Ø160 - d.14x30	•	•	•				•		
IEC 80 Ø200 - d.19x40	•	•	•	•			•	•	
IEC 90 Ø200 - d.24x50	•	•	•	•			•	•	
IEC 100 Ø250 - d.28x60		•	•	•	•		•	•	
IEC 112 Ø250 - d.28x60		•	•	•	•		•	•	
IEC 132 Ø300 - d.38x80		•	•	•	•	•	•	•	•
IEC 160 Ø350 - d.42x110			•	•	•	•	•	•	•
IEC 180 Ø350 - d.48x110			•	•	•	•	•	•	•
IEC 200 Ø400 - d.55x110			•	•	•	•	•	•	•
IEC 225 Ø450 - d.60x140			•	•	•	•	•	•	•

IEC Electric Motors	Flange ISO 3019-2								Flange SAE J 744								
	50 B2/B4	63 B2/B4	80 B2/B4	100 B2/B4	125 B2/B4	160 B2/B4	200 B2/B4	50-2 (A-A)	82-2 (A)	101-2 (B)	127-2 (C)	152-2 (D)	165-2 (E)	101-4 (B)	127-4 (C)	152-4 (D)	165-4 (E)
IEC 80 Ø200 - d.19x40	•	•	•	•				•	•								
IEC 90 Ø200 - d.24x50	•	•	•	•				•	•								
IEC 100 Ø250 - d.28x60	•	•	•	•	•			•	•	•				•			
IEC 112 Ø250 - d.28x60	•	•	•	•	•			•	•	•	•			•			
IEC 132 Ø300 - d.38x80			•	•	•	•			•	•	•			•	•		
IEC 160 Ø350 - d.42x110			•	•	•	•			•	•	•			•	•		
IEC 180 Ø350 - d.48x110			•	•	•	•			•	•	•			•	•		
IEC 200 Ø400 - d.55x110			•	•	•	•			•	•	•	•		•	•	•	
IEC 225 Ø450 - d.60x140			•	•	•	•			•	•	•	•	•	•	•	•	•
IEC 250 Ø550 - d.65x140			•	•	•	•			•	•	•	•	•	•	•	•	•
IEC 280 Ø550 - d.75x140					•	•			•	•	•	•	•	•	•	•	•
IEC 315 Ø660 - d.80x170					•	•			•	•	•	•	•	•	•	•	•
IEC 355 Ø800 - d.90x170					•	•			•	•	•	•	•	•	•	•	•

COUPLINGS

- 100% shaft covering
- Noise reduction by spider inclusion
- Spider available with different material



IEC Electric Motors	Aluminium ENAB 46100	G25 UNI 5007 Cast Iron - C40 Carbon Steel				
	Shaft ISO 3019-2	Shaft ISO 3019-2	Shaft ANSI B92.1A1976	Shaft DIN 5480	Shaft DIN 5481	Shaft DIN 5482
IEC 80 Ø200 - d.19x40	•	•	•	•	•	•
IEC 90 Ø200 - d.24x50	•	•	•	•	•	•
IEC 100 Ø250 - d.28x60	•	•	•	•	•	•
IEC 112 Ø250 - d.28x60	•	•	•	•	•	•
IEC 132 Ø300 - d.38x80	•	•	•	•	•	•
IEC 160 Ø350 - d.42x110	•	•	•	•	•	•
IEC 180 Ø350 - d.48x110	•	•	•	•	•	•
IEC 200 Ø400 - d.55x110	•	•	•	•	•	•
IEC 225 Ø450 - d.60x140		•	•	•	•	•
IEC 250 Ø550 - d.65x140		•	•	•	•	•
IEC 280 Ø550 - d.75x140		•	•	•	•	•
IEC 315 Ø660 - d.80x170		•	•	•	•	•
IEC 355 Ø800 - d.90x170		•	•	•	•	•

EASY TO MASTER SOFTWARE

Our simple to use yet sophisticated software system takes you step-by-step through the selection process making it easy for you to find the ideal coupling for your needs.

STEP 1

Go to our software selection site portal at:
<https://www.mpfiltri.com/registration.html>



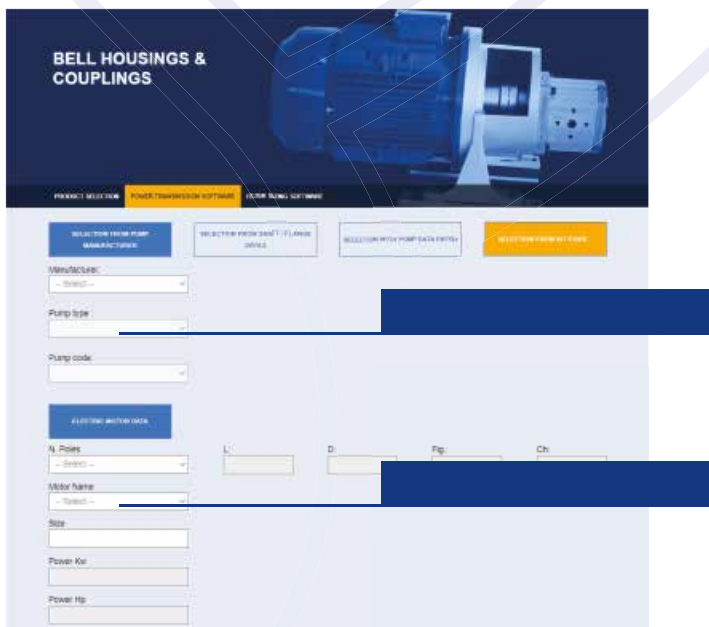
STEP 2

Log in and select Power Transmission Software.



STEP 3


Select your pump and motor.



STEP 4

Confirm your specification and receive the coupling datasheet complete with dimensional 2D drawing.

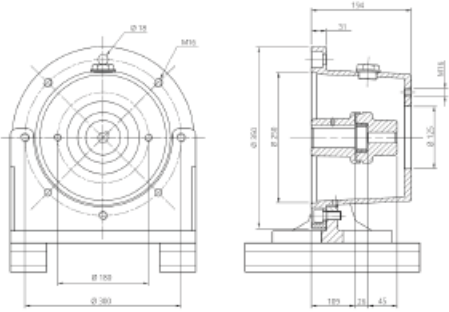




MISSION TO PERFORM

MP Filtri S.p.A. - Via 1° Maggio, 3
 20060 Pessano con Bornago - Milano - Italy
 Ph: 02.95703.1 - Fax: 02.95741497-95740188
 sales@mpfiltri.com - www.mpfiltri.com

Pump		Pump data	
Manufacturer	BOSCH REXROTH	L1	60
Pump model	A10VSO71/31"-PA"	Thickness	10
Electric Motor		d1	32
N. Poles	4	Ch1	10
Power Kw	11	l2	0
Power Hp	15	C	125
Size	160M	ln	180
Electric Motor Data		Nr	2
L	110	F	M16
D	42		
Ch	12		
Fig	350		



Optional with polyurethane spider red colour - 90 Shore A		
P/n Bell-Housing kit:	NOT AVAILABLE	Max torque (Nm): 1050
P/n Kit coupling:	AKMMMS2224RR	Temperature °C: -30 ÷ 90
P/n Complete kit:	AKMMMS2224RRDI	
Ordering code Bell-Housing	Half coupling code	Ordering codes
LMC350AFSU002DI	SGEA51M0710BFG	Foot bracket: PDM A350
	EGE SRR	Damping rods for foot bracket: MPDRPDMA350
	SGEA51D0404BFG	

NEW FEATURE

YOU CAN'T FIND THE PUMP ON THE SYSTEM?

Insert pump's dimension on the section

and follow the instructions to achieve the couplings components code.



WORLDWIDE NETWORK

CANADA ♦ CHINA ♦ FRANCE ♦ GERMANY ♦ INDIA ♦ SINGAPORE
UNITED ARAB EMIRATES ♦ UNITED KINGDOM ♦ USA



HQ
ITALY



PASSION  PERFORM

in   



mpfiltri.com

MP Filtri reserves the right to make modifications to the models and versions of the described products at any time for both technical and/or commercial reasons. For updated information please visit our website: www.mpfiltri.com. The colors and the pictures of the products are purely indicative. Any reproduction, partial or total, of this document is strictly forbidden. All rights are strictly reserved.

MF002000121
US - 2024.03