

LMS/LDS series

IEC electric motor range from size 100 up to size 315



BELL-HOUSING & COUPLING SIZING

A GUIDE TO SELECT THE CORRECT BELL-HOUSING AND DRIVE COUPLING

DATA REQUIRED

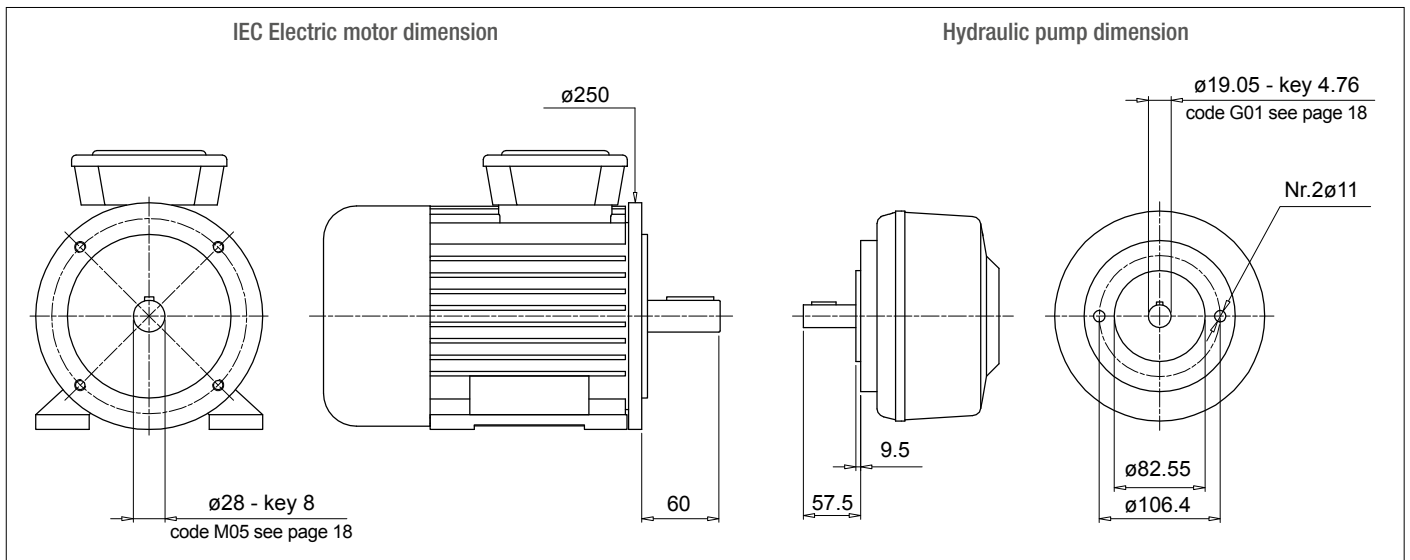
- Electric motor power/motor size
- Manufacturer and pump type

TO VERIFY:

- 1 - Pump and motor shaft dimensions (see electric motor data sheet)
- 2 - Shaft and flange pump (see pump data sheet)

Example:

- Electric motor 2.2 kW - size 100-112
- Atos pump code PFE31 - Shaft 1



Bell-Housing's length calculation

- $H = 60 + 18 + 57.5 = 135.5$ mm (18 = Sp spider - see page 31)
- Choose type of bell-housing (LMC - LMS):
For monobloc bell-housing LMC/LDC series see pages 63 ÷ 69
For Low noise bell-housing LMS/LDS series see pages 71 ÷ 77
For Multi-components 2-3 bell housing series see pages 79 ÷ 99

Note:

The length of bell-housing must be \geq than the length calculated (135.5 mm)

Case A

Solution with monobloc bell-housing series **LMC/LDC**

Pages 63 ÷ 69 for IEC Electric motor size 100-112 - LMC250

LMC 250 bell-housing with height ≥ 135.5 - LMC250AFSQ

The bell-housing code must be completed with pump drilling code (see pages 48-49).

For the specific case:

Spigot hole 82.55 - PCD 106.4 - Nr.2 holes M10 : Drilling code 060

Definitive bell-housing code **LMC250AFSQ060**

Case B

Solution with low noise bell-housing series **LMS/LDS**

Pages 71 ÷ 77 for IEC Electric motor size 100-112 - LMS250

LMS 250 bell-housing with height ≥ 135.5 - LMS250AFSA

The bell-housing code must be completed with pump drilling code (see pages 48-49).

For the specific case:

Spigot hole 82.55 - PCD 106.4 - Nr.2 holes M10 : Drilling code 060

Definitive bell-housing code **LMS250AFSA060**

BELL-HOUSING & COUPLING SIZING

A GUIDE TO SELECT THE CORRECT BELL-HOUSING AND DRIVE COUPLING

Coupling selection

Motor half-coupling (see page 26)

For IEC Electric motor size 100/112, the half-coupling is **SGEA21M05060FG**

Spider (see page 31)

For SGEA21, EGE2 - EGE2RR

(choose spider material on the base of the application, oil, temperature and cycle machine, etc.)

Pump half-coupling

Choose the drilling code - see pages 18-19 for shaft 19.05 - key 4.76 - code: **G01**

Pump half-coupling length = BH length - THK Spider - THK Spigot

$$\text{LMC} = 138 \text{ mm} - 60 - 18 - 9.5 = 50.5 \text{ mm}$$

$$\text{LMS} = 148 \text{ mm} - 60 - 18 - 9.5 = 60.5 \text{ mm}$$

LMC - Choose the half-coupling's length at page 26 \leq 50.5 mm.

LMS - Choose the half-coupling's length at page 26 \leq 60.5 mm.

LMC - Availabe length for SGEA21 = 50 mm

LMS - Availabe length for SGEA21 = 60 mm

Half coupling for LMC: **SGEA21G01050FG**

Half coupling for LMS: **SGEA21G01050FG**

SOFTWARE FOR AUTOMATIC CALCULATION

available on the web site www.mpfiltri.com

Vane / Piston / Screw pumps

AKA
AKMM03Z0066

Pump
Manufacturer: ATOS
Pump type: PFE
Pump model: PFE31 Shaft 1

HYDRAULIC PUMP - Technical Data
L1: 57.5
d1: 19.05
Ch: 4.76
s: 9.5
PD: 82.55
Int: 106
Nr: 2
F: M10

Electric Motor
N. Poles: 2P
Type: 83-85
Size: 100-112
Kw: 3-4
Hp: 4-5,44

ELECTRIC MOTOR - Technical Data
L: 60
d1: 28
Flg.: 250
Ch: 8

Coupling material
 Aluminium Cast iron Allow alternative material

Result
Coupling: M03 - 20066
Drilling Pump: S060
Pump Shaft: G01
Motor Shaft: M05

Result
Monobloc Bellhousing:
Modular Bellhousing:
Silenced Bellhousing:

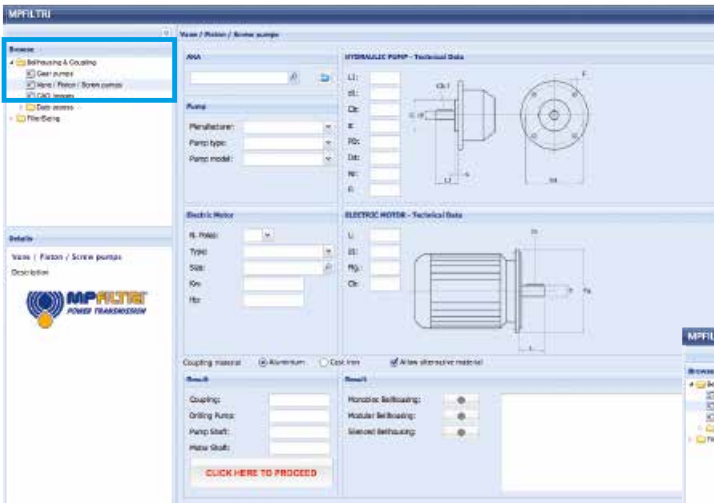
Monobloc Bellhousing:
Pump half-coupling with grub screw
For other solution please contact technical department

Modular Bellhousing: OK
Silenced Bellhousing: OK

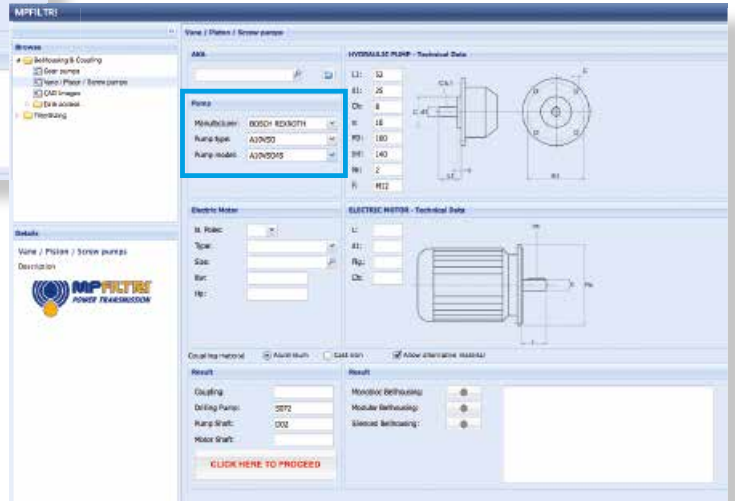
[CLICK HERE TO PROCEED](#)

Note: for multi pumps we recommend to use a specific support on the base of the pump's dimensions and weight.

Step 1 Select "BELL-HOUSING & COUPLING"



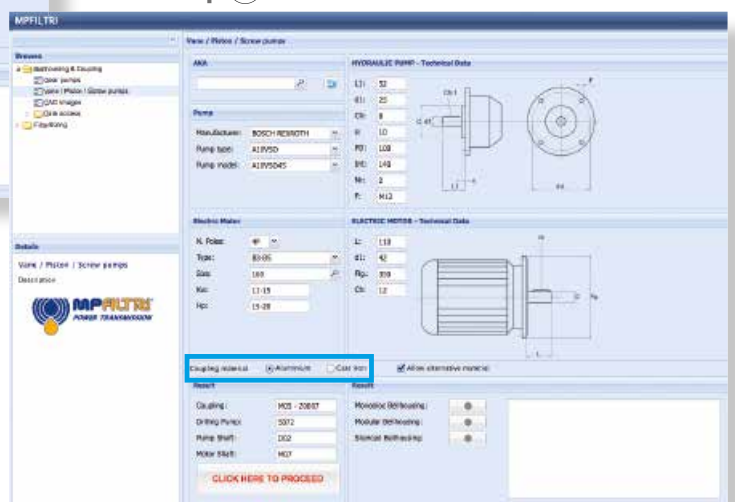
Step 2 Choose Manufacturer: select "Pump type" and "Pump model"



Step 3 Choose nr° of poles of "Electric motors": select "Electric motors type" and "Electric motors size"



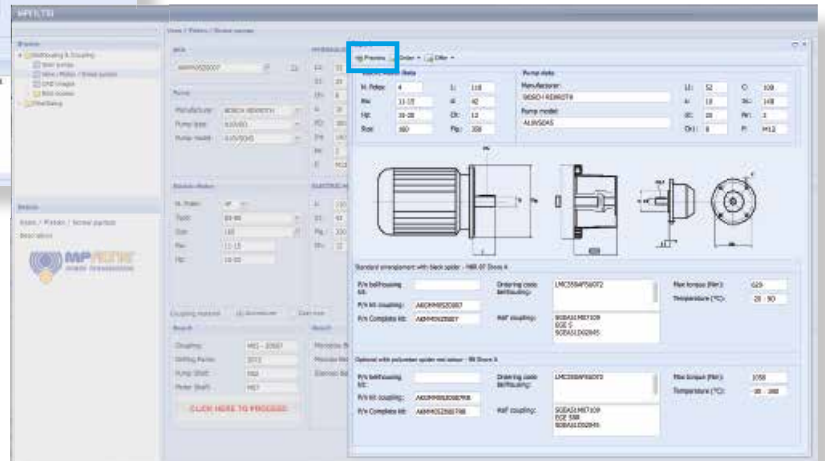
Step 4 Choose Coupling material



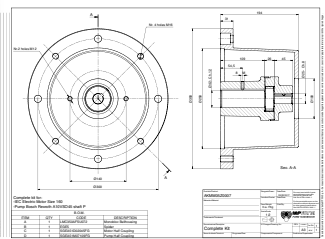
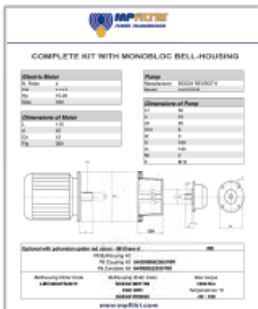
Step 5 Push **"CLICK HERE TO PROCEED"**, then choose best solution for your application.



Step 6 Push **"PREVIEW"** to download the reports.



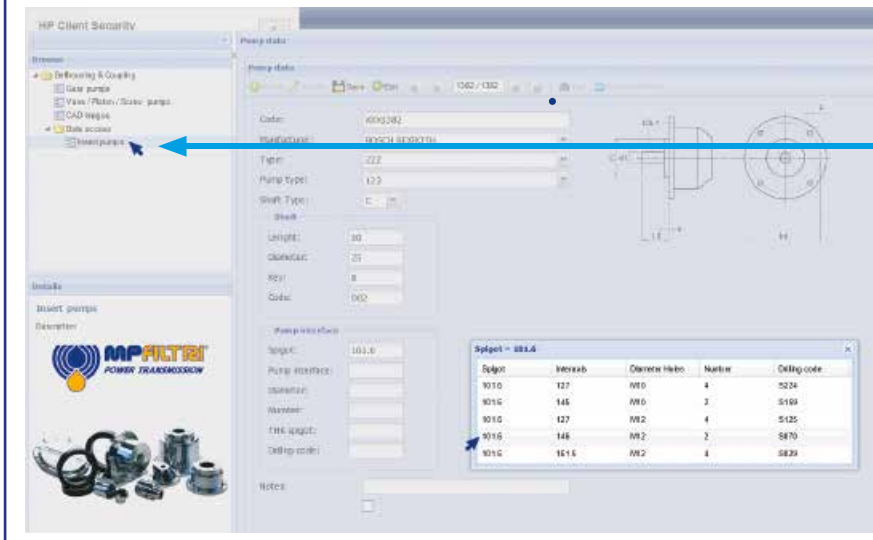
Step 7  Download PDF Datasheet and "DXF Drawing" of your selection



You can't find the pump on the system?

NEW FEATURE!!

Insert pump's dimension on the section **"INSERT PUMP"** and follow the instructions to achieve the couplings components code



Noise is a particularly pervasive problem so much so that there have been statutory regulations in place now for some years, designed to limit harmful occupational exposure.

Many of the machines used in industry today are equipped with oil-hydraulic systems, which happen to be a major source of noise.

① THEORY AND DEFINITION OF NOISE

From a health and hygiene standpoint, noise can be defined as an unpleasant and undesirable sound, or an unpleasant and annoying or intolerable auditory sensation (noise being any sound phenomena that may be accompanied by sensations of disturbance and pain). By definition, acoustic phenomena are oscillatory in character, propagated in a flexible medium and causing pressure variations at the points, and the areas adjacent to those points, through which they pass.

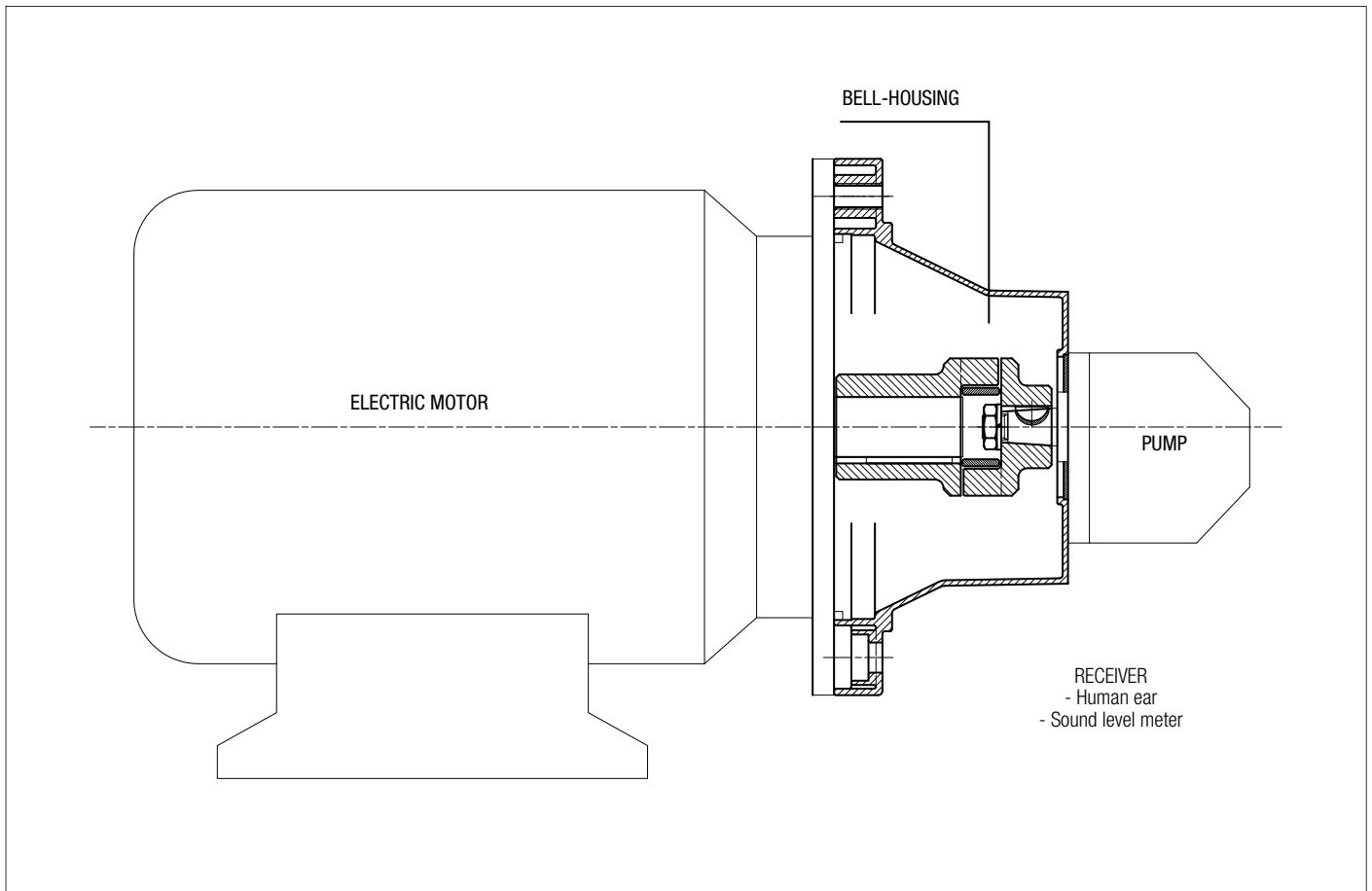
② SOUND

Technically considered, certain elements must be present simultaneously for acoustic phenomena to occur:

- Sound source
- Transmission medium
- Receive

The electric motor and the pump, together with the drive coupling, are the SOURCE OF THE NOISE. The Bell-housing is the noise transmission MEDIUM. Depending on whether the monobloc bell-housing is a rigid or low noise type, there will be variations in the flexible properties of the transmission medium. The acoustic phenomena are dissimilar in the two cases, given the differences in pressure variation and particle displacement.

MOTOR AND PUMP UNIT



Low noise bell-housing will help to attenuate the transmission of vibrations and the emission of noise generated by the system.

Self-evidently, however, the mere adoption of a low noise bell-housing will achieve little unless the motor and pump are correctly installed on the machine or on the tank of the hydraulic power unit.

Should be followed in order to achieve best possible results and correct installation:

1 MOTOR AND PUMP UNIT MOUNTED HORIZONTALLY ON OIL TANK LID

- The suction pipe attached to the pump must be rigid and fitted using a resilient bulkhead flange of the FTA series, which helps to cushion the vibrations propagated between the pipe and the tank lid.
If pipes need to be bent, the radius of curvature must be at least 3 times the pipe diameter.
Do not use elbow fittings, as these will significantly increase pressure losses.
- The pressure pipeline of the pump must be flexible and long enough to include bends with the minimum radius of curvature recommended by the manufacturer for the specified operating pressure.
- The return pipeline running from the service to the filter must be flexible.
Where oil is returned directly to the tank of the hydraulic power unit through a rigid pipe, it is advisable to use a resilient bulkhead flange of the FTR series, which helps to cushion the vibrations propagated between the pipe and the tank lid.
- Anti-vibration devices (resilient mounts or damping rods) must be located under the feet of the electric motor or the PDM foot brackets, depending on the mounting position of the motor.
- The lids of hydraulic oil tanks must be sturdy enough to support the load they carry.

2 MOTOR AND PUMP UNIT MOUNTED HORIZONTALLY ON MACHINE

- As a matter of good practice, the oil tank and motor-pump unit should be mounted on a single supporting frame of strength sufficient to support the load.
- If the hydraulic system is fitted with a side-mounted filter, the suction pipeline to the pump must be flexible and long enough to include bends with the minimum radius of curvature recommended by the manufacturer.
- If the suction filter is not side mounted, the pipeline should be rigid and installed in conjunction with a compensating coupling.
- The pressure pipeline of the pump must be flexible, and long enough to include bends with the minimum radius of curvature recommended by the manufacturer for the specified operating pressure.
- The return pipeline running from the service to the filter must be flexible.
Where oil is returned directly to the tank of the hydraulic power unit through a rigid pipe, it is advisable to use a resilient bulkhead flange of the FTR series, which helps to cushion the vibrations propagated between the pipe and the tank lid.

- Anti-vibration devices (resilient mounts or damping rods) must be located under the feet of the electric motor or the PDM foot brackets, depending on the mounting position of the motor.

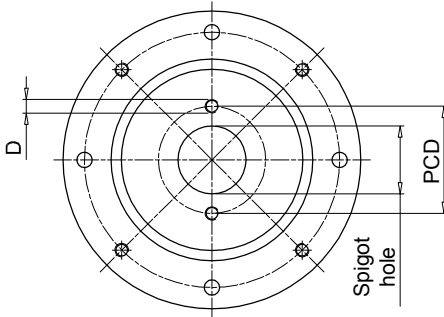
Note:

The above guidelines are indicative only and subordinate to the solutions adopted ultimately by design engineers.

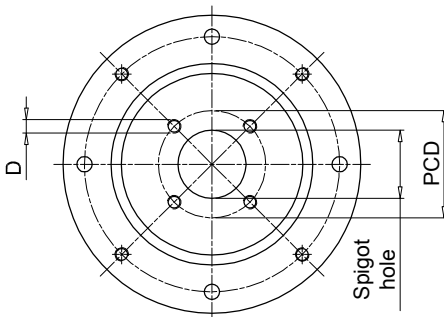
FINAL CONSIDERATION

For best results, in any event, the motor-and-pump unit should be incorporated into the hydraulic system in such a way that no one component is rigidly associated with another, resulting in the propagation of vibration, and consequently noise.

Valid configuration for bell-housing up to $\phi 400$

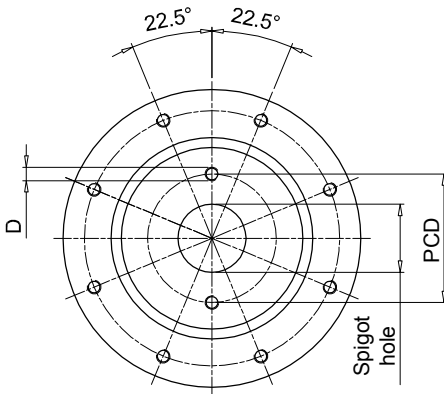


Bell-housing with nr. 2 holes at pump interface, aligned with through holes at motor interface.

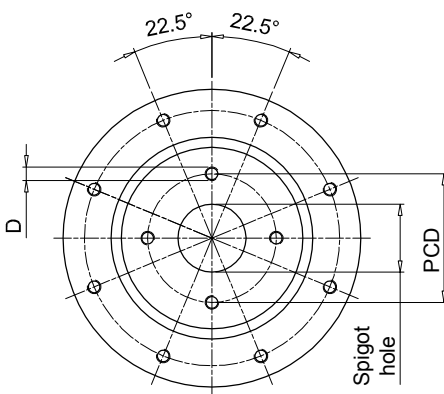


Bell-housing with nr. 4 holes at pump interface, aligned with thread holes at motor interface.

Valid configuration for bell-housing from $\phi 450$ to $\phi 660$



Bell-housing with nr. 2 holes at pump interface + 22.5° compared to through holes at motor interface.



Bell-housing with nr. 4 holes at pump interface + 22.5° compared to thread holes at motor interface.

Spigot hole [mm]	PCD	D	Nr. holes	Code	Type
40	72.00	M8	2	191	-
45.2	88.90	M8	4	096	-
	71.80	M8	4	120	-
50	80.00	M8	2	052	ISO3019-2-50-B2
	93.00	M10	2	053	-
	60.00	M5	4	280	-
	63.00	$\phi 7$	4	057	-
50.8	93.00	M8	2	287	-
	82.50	M8	2	050	SAE A-A 50-2
56	76.00	M6	4	234	-
57.15	106.40	$\phi 11$	2	212	-
60	74.00	M10	4	098	-
	98.50	M6	4	147	-
62.7	75.00	M6	4	227	-
	157.20	M12	4	231	-
63	100.00	M8	2	042	ISO3019-2-63-B2
	125.00	M6	4	043	-
	85.00	M8	4	044	-
	80.00	M8	2	051	-
	80.00	$\phi 8,5$	4	058	-
	100.00	M10	2	062	-
65	85.00	M8	4	168	ISO3019-2-63-B4
	90.00	M8	4	271	-
	90.00	M8	4	073	-
70	84.00	$\phi 7$	4	289	-
71.8	88.90	M10	4	047	-
75	102.00	M10	4	139	-
80	100.00	M8	4	024	ISO3019-2-80-B4
	103.20	M8	2	045	ISO3019-2-80-B2
	100.00	$\phi 11$	4	059	-
	100.00	M10	2	061	-
	110.00	M10	2	063	-
	140.00	M10	2	064	-
	115.00	M10	2	065	-
	100.00	M10	4	067	-
	106.40	M10	2	083	-
	130.00	M8	4	087	-
	100.00	$\phi 8,5$	4	093	-
	113.00	M12	4	104	-
82.55	95.00	M8	4	169	-
	103.00	M8	4	242	-
	110.00	M10	4	272	-
	106.40	M10	2	060	SAE A 82-2
	105.00	M10	4	097	-
	106.40	M8	2	254	-
85	146.00	M12	2	260	-
	110.00	M10	2	284	-
	106.40	M10	2	066	-
90	112.00	M8	2	134	-
	105.00	M8	4	156	-
	118.00	$\phi 9$	2	163	-
92	112.00	$\phi 9$	2	164	-
	140.00	M8	4	088	-
	145.00	M10	4	089	-

"-": configuration out of ISO & SAE Standard

Spigot hole [mm]	PCD	D	Nr. holes	Code	Type	
95	115.00	M8	4	137	-	
	127.00	M10	4	131	-	
98.4	125.00	ø11	4	128	-	
	125.00	M10	4	023	ISO3019-2-100-B4	
100	125.00	M10	2	025	ISO3019-2-100-B2	
	125.00	ø11	4	031	-	
	125.00	M5	4	032	-	
	190.00	ø15	4	038	-	
	125.00	ø13	4	041	-	
	125.00	M12	2	071	-	
	140.00	M12	2	072	-	
	146.00	M12	2	075	-	
	126.00	M10	2	106	-	
	120.00	M8	4	122	-	
	160.00	M10	4	141	-	
	150.00	M10	4	150	-	
	101.6	161.50	M12	4	029	-
		146.00	M12	2	070	SAE B 101-2
127.00		M12	4	125	-	
146.00		M10	2	159	-	
105	127.00	M10	4	224	-	
	146.00	M12	2	076	-	
110	175.00	M10	4	110	-	
	130.00	M8	4	154	-	
	200.00	M10	4	202	-	
	135.00	M10	4	219	-	
	145.00	M12	4	273	-	
112	140.00	M12	2	074	-	
	140.00	M10	2	138	-	
	130.00	M10	4	264	-	
115	180.00	M12	4	198	-	
116	160.00	M14	2	084	-	
120	210.00	M16	2	094	-	
	145.00	M10	4	155	-	
	150.00	ø13	4	267	-	
125	160.00	M12	4	026	ISO3019-2-125-B4	
	160.00	ø13	4	033	-	
	160.00	M12	2	079	-	
	180.00	M16	2	082	ISO3019-2-125-B2	
	155.00	M10	4	102	-	
	160.00	ø17	4	113	-	
	200.00	M12	4	114	-	
	181.20	M16	2	136	-	
	200.00	M16	4	200	-	
	180.00	ø20	4	215	-	
	170.00	ø18	4	237	-	
127	161.50	M12	4	021	-	
	181.20	M16	2	080	SAE C 127-2	
	161.50	M14	4	140	-	
130	165.00	ø11	4	054	-	
	150.00	M12	4	068	-	
	181.20	M16	2	085	-	
	165.00	M12	4	124	-	
	165.00	M14	4	135	-	

"-": configuration out of ISO & SAE Standard

Spigot hole [mm]	PCD	D	Nr. holes	Code	Type
130	165.00	M10	4	253	-
135	160.00	M10	4	151	-
	175.40	M12	4	220	-
140	180.00	M14	4	077	ISO3019-2-140-B4
	180.00	M12	2	081	-
	165.00	M10	4	157	-
	200.00	M16	4	176	ISO3019-2-140-B2
	165.00	ø11	4	223	-
	180.00	M16	2	232	-
150	185.00	M16	4	069	-
	228.60	M16	4	022	-
152.4	228.60	M18	2	090	-
	228.60	M18	4	108	-
	217.50	ø17	4	118	-
	228.60	M20	2	166	SAE D 152-2
	228.60	M20	4	192	SAE D 152 -4
	190.50	M8	4	207	-
160	200.00	M16	4	027	ISO3019 - 2 -160 B4
	200.00	ø17	4	035	-
	200.00	M16	2	091	-
	224.00	M20	2	092	ISO3019 - 2 -160 B2
	200.00	M12	2	107	-
	230.00	M22	4	111	-
	185.00	M12	4	152	-
	224.00	M16	4	184	-
230.00	ø22	4	228	-	
162	188.00	M12	4	263	-
165.1	317.35	M20	4	143	SAE E 165 - 4
	317.35	M24	2	145	SAE E 165 - 2
	229.00	M20	4	201	-
175	317.35	M18	4	204	-
	200.00	M12	4	153	-
177.8	230.00	M18	2	185	-
	350.00	M24	4	146	SAE F 177 - 4
	216.00	M12	4	222	-
180	350.00	M24	2	203	SAE F 177 - 2
	216.00	ø13	4	055	-
	216.00	M16	4	078	-
	224.00	M16	4	112	ISO3019 - 2 -180 B4
	216.00	M12	4	132	-
	215.00	M22	4	148	-
	230.00	M22	4	226	-
	250.00	M20	4	028	ISO3019 - 2 -200 B4
250.00	ø22	4	095	-	
200	280.00	M24	2	117	-
	230.50	M12	4	214	-
203.2	254.00	M14	4	210	-
205	240.00	M16	4	133	-
224	280.00	M20	4	144	ISO3019 - 2 -224 B4
	280.00	ø22	4	205	-
250	310.00	M24	4	238	-
	315.00	M20	4	282	ISO3019 - 2 -250 B4
275	355.00	M16	4	233	-
	355.00	ø18	4	281	-

"-": configuration out of ISO & SAE Standard

LMS/LDS series

IEC electric motor range from size 100 up to size 315



Technical data

Bell-Housing - IEC electric motor range from size 100 up to size 315**Materials**

- Motor base bell-housing: Pressure diecast aluminium alloy
- Pump flange: Pressure diecast aluminium alloy
- Internal ring: Pressure diecast aluminium alloy
- Damping ring: Vulcanized aluminium + NBR 75 Shore A

Compatibility with fluids

Modular bell-housing components compatible for use with:

- Mineral oils types HH-LL-HM-HR-HV-HC, to ISO 6743/4 standard
- Water based emulsions types HFAE-HFAS, to ISO 6743/4 standard
- Water glycol type HFC, to ISO 6743/4 standard: ask for anodized version

Special Applications

Any applications not covered by the normal indications contained in this catalogue must be evaluated and approved by MP Filtri Technical and Sales Department.

Temperature

From -30 °C to +80 °C

Note

For temperatures outside this range, contact MP Filtri Technical and Sales Department.



Range

Bell-Housing size	Flange ISO 3019-2								IEC Motors size
	50 B2-B4	63 B2-B4	80 B2-B4	100 B2-B4	125 B2-B4	160 B2-B4	200 B2-B4		
LMS250	●	●	●	●	●				IEC 100 \varnothing 250 - \varnothing 28x60
LMS250	●	●	●	●	●				IEC 112 \varnothing 250 - \varnothing 28x60
LMS300			●	●	●	●			IEC 132 \varnothing 300 - \varnothing 38x80
LMS350			●	●	●	●			IEC 160 \varnothing 350 - \varnothing 42x110
LMS350			●	●	●	●	●		IEC 180 \varnothing 350 - \varnothing 48x110
LMS400			●	●	●	●	●		IEC 200 \varnothing 400 - \varnothing 55x110
LMS450			●	●	●	●	●		IEC 225 \varnothing 450 - \varnothing 60x140
LMS550					●	●	●		IEC 250 \varnothing 550 - \varnothing 65x140
LMS550					●	●	●		IEC 280 \varnothing 550 - \varnothing 75x140
LMS660					●	●	●		IEC 315 \varnothing 660 - \varnothing 80x170

Bell-Housing size	Flange SAE J 744										IEC Motors size	
	50-2 (A-A)	82-2 (A)	101-2 (B)	127-2 (C)	152-2 (D)	165-2 (E)	101-4 (B)	127-4 (D)	152-4 (D)	165-4 (E)		
LMS250	●	●	●				●					IEC 100 \varnothing 250 - \varnothing 28x60
LMS250	●	●	●	●			●					IEC 112 \varnothing 250 - \varnothing 28x60
LMS300		●	●	●			●	●				IEC 132 \varnothing 300 - \varnothing 38x80
LMS350		●	●	●			●	●				IEC 160 \varnothing 350 - \varnothing 42x110
LMS350		●	●	●	●		●	●	●			IEC 180 \varnothing 350 - \varnothing 48x110
LMS400		●	●	●	●	●	●	●	●	●		IEC 200 \varnothing 400 - \varnothing 55x110
LMS450			●	●	●	●		●	●	●		IEC 225 \varnothing 450 - \varnothing 60x140
LMS550				●	●	●		●	●	●		IEC 250 \varnothing 550 - \varnothing 65x140
LMS550				●	●	●		●	●	●		IEC 280 \varnothing 550 - \varnothing 75x140
LMS660				●	●	●		●	●	●		IEC 315 \varnothing 660 - \varnothing 80x170

Designation & Ordering code

LMS

Bell-Housing series and size

Configuration example: **LMS250AFSA** **070** **DI**

LMS250AFSA	LMS400AFSL
LMS250AFSB	LMS400AFSM
LMS300AFSC	LMS400AFSN
LMS300AFSD	LMS450AFS0
LMS300AFSE	LMS550AFSP
LMS350AFSF	LMS550AFSR
LMS350AFSG	LMS550AFSS
LMS350AFSH	LMS660AFST

Pump interface codes

070 See page 48

Options

DI	Drain hole + inspection hole
FG	Holes rotated through 45° in relation to standard position
DP	Double set of hole
AN	Black anodized finish
SA	Clearance holes at motor interface
Pxx	Customer specification

LDS

Bell-Housing series and size

Configuration example: **LDS250AFRA** **070** **DI**

LDS250AFRA	LDS450AF6A
LDS250AFBB	LDS550AF6A
LDS250AFRE	LDS660AF6A
LDS300AFRB	
LDS300AFRC	
LDS300AF5G	
LDS350AF5A	
LDS400AF6A	

Pump interface codes

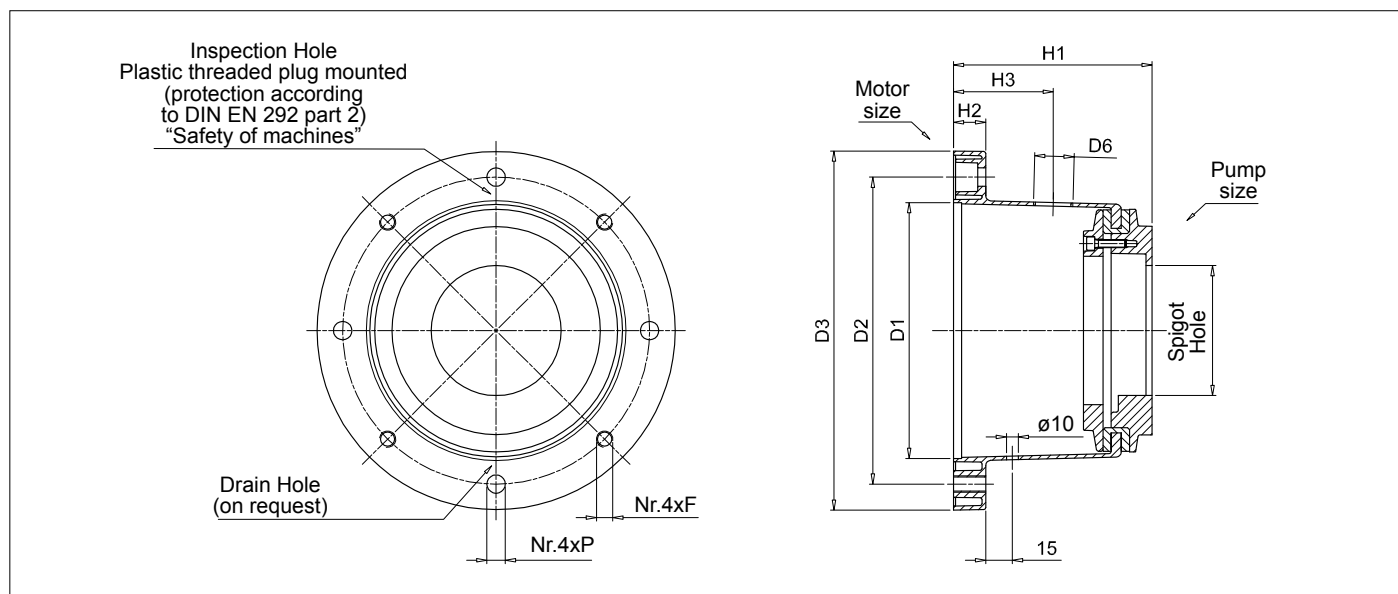
070 See page 48

Options

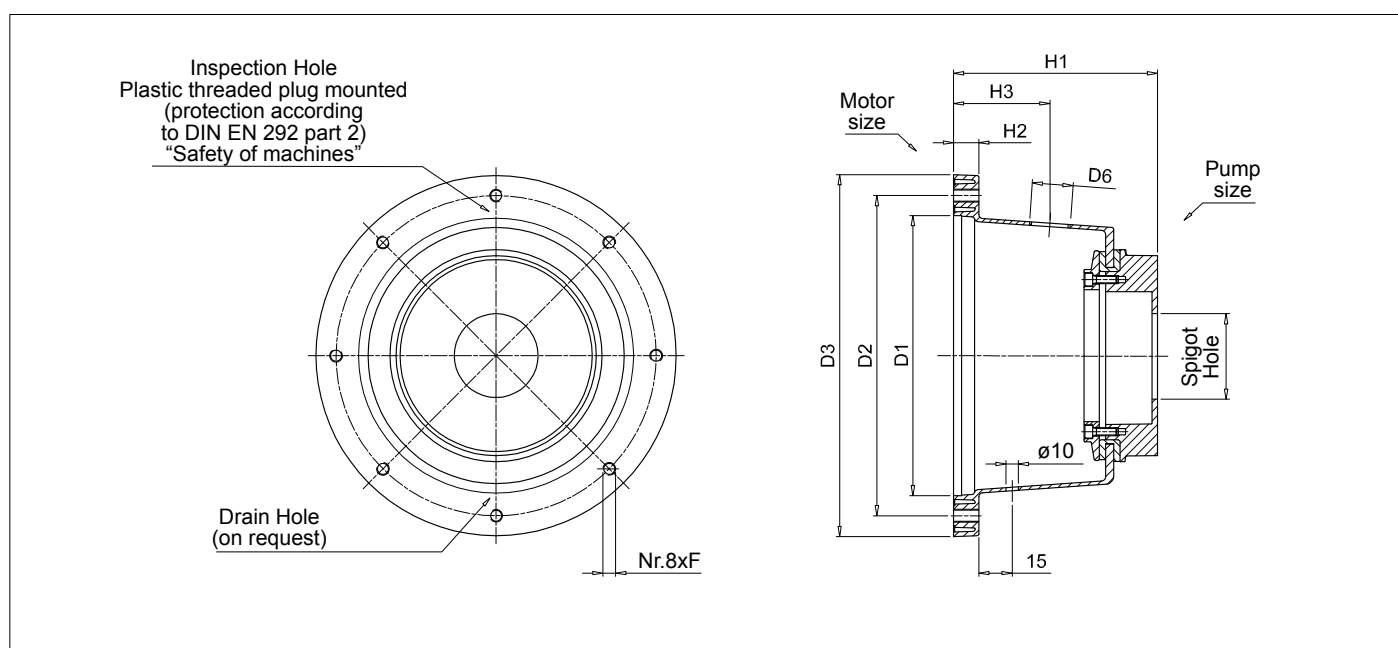
DI	Drain hole + inspection hole
FG	Holes rotated through 45° in relation to standard position
DP	Double set of hole
AN	Black anodized finish
SA	Clearance holes at motor interface
Pxx	Customer specification

Note:

- Bell-housings with DI options are supplied complete with threaded closure plug.
- For customization features other than those indicated on this page, contact MP Filtri Technical and Sales Department.

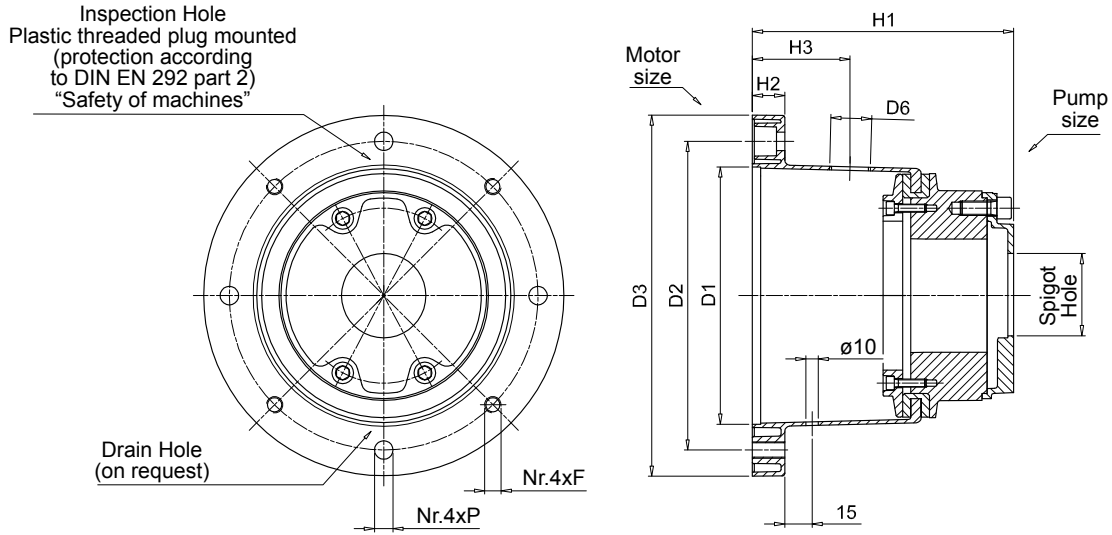


IEC - Electric motors		Bell-housing code	Dimensions [mm]								On request		Spigot hole Minimum [mm]	Weight [kg]
Motor size	Shaft end [d x l]		D1	D2	D3	H1	H2	F	P	H3	D6			
100 - 112	28x60	LMS250AFSA***	180	215	250	128	19	M12	14	75	3/4"	50	3.72	
		LMS250AFSB***	180	215	250	148	19	M12	14	75	3/4"	50	4.10	
132	38x80	LMS300AFSC***	230	265	300	155	23	M12	14	80	3/4"	50	4.20	
		LMS300AFSD***	230	265	300	168	23	M12	14	80	3/4"	80	4.45	
		LMS300AFSE***	230	265	300	194	23	M12	14	80	3/4"	80	6.51	
160	42x110	LMS350AFSF***	250	300	350	204	31	M16	18	95	1"	80	6.80	
		LMS350AFSG***	250	300	350	228	31	M16	18	95	1"	80	7.10	
180	48x110	LMS350AFSH***	250	300	350	204	31	M16	18	95	1"	80	8.51	
200	55x110	LMS400AFSL***	300	350	400	228	31	M16	18	125	1 1/2"	80	8.80	
		LMS400AFSM***	300	350	400	256	31	M16	18	125	1 1/2"	80	9.10	
		LMS400AFSN***	300	350	400	240	31	M16	18	125	1 1/2"	80	11.61	

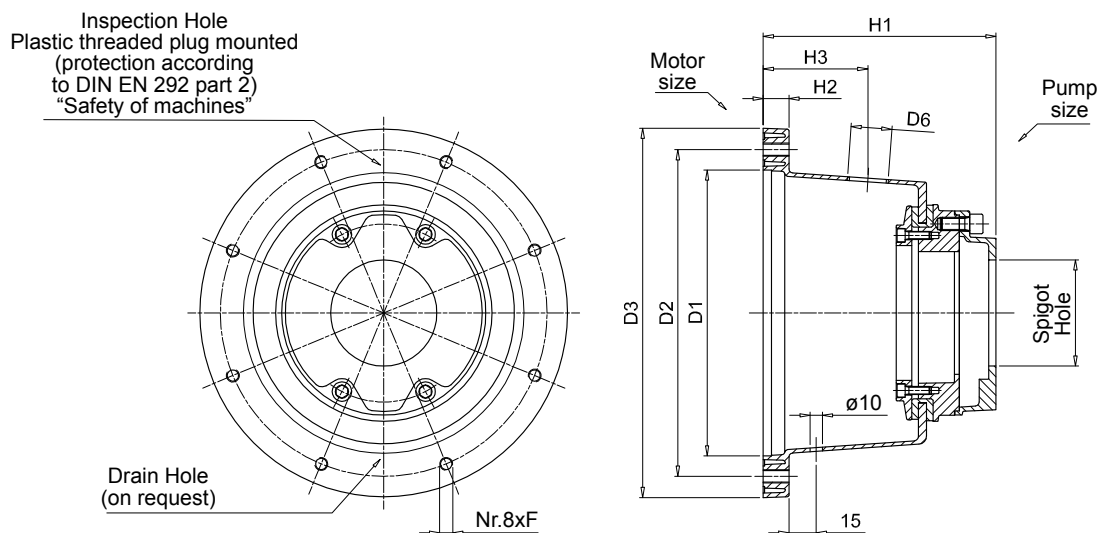


IEC - Electric motors		Bell-housing code	Dimensions [mm]								On request		Spigot hole Minimum [mm]	Weight [kg]
Motor size	Shaft end [d x l]		D1	D2	D3	H1	H2	F	P	H3	D6			
225	60x140	LMS450AFS0***	350	400	450	255	31	M16	-	175	1 1/2"	80	12.1	
250	65x140	LMS550AFSP***	450	500	550	255	31	M16	-	176	1 1/2"	80	15.2	
		LMS550AFSR***	450	500	550	270	31	M16	-	177	1 1/2"	80	15.9	
280	75x140	LMS550AFSS***	450	500	550	290	31	M16	-	178	1 1/2"	80	19.2	
315	80x170	LMS660AFST***	550	600	660	305	42	M20	-	179	1 1/2"	80	20.2	

Dimensions



IEC - Electric motors		Bell-housing code	Dimensions [mm]							On request		Spigot hole Minimum [mm]	Weight [kg]
Motor size	Shaft end [d x l]		D1	D2	D3	H1	H2	F	P	H3	D6		
100 - 112	28x60	LDS250AFRA***	180	215	250	158	19	M12	14	75	3/4"	50	3.97
		LDS250AFRB***	180	215	250	165	19	M12	14	75	3/4"	50	4.10
		LDS250AFRE***	180	215	250	173	19	M12	14	75	3/4"	50	4.70
132	38x80	LDS300AFRB***	230	265	300	185	23	M12	14	80	3/4"	50	4.75
		LDS300AFRC***	230	265	300	188	23	M12	14	80	3/4"	80	4.85
		LDS300AF5G***	230	265	300	232	23	M12	14	80	3/4"	80	6.70
160 180	42x110 48x110	LDS350AF5A***	250	300	350	254	31	M16	18	95	1"	80	8.10
200	55x110	LDS400AF6A***	300	350	400	288	31	M16	18	125	1 1/2"	80	10.00



IEC - Electric motors		Bell-housing code	Dimensions							On request		Spigot hole Minimum [mm]	Weight [kg]
Motor size	Shaft end [d x l]		D1	D2	D3	H1	H2	F	P	H3	D6		
225	60x140	LDS450AF6A***	350	400	450	287	31	M16	-	175	1"1/2	80	14.10
250	65x140	LDS550AF6A***	450	500	550	300	31	M16	-	176	1"1/2	80	17.20
280	75x140												
315	80x170	LDS660AF6A***	550	600	660	335	42	M20	-	179	1"1/2	80	23.00

Comparative table

MP Filtri code	KTR code	OMT code	Raja code
LMS250A***	PK+D150/190	BS251***	R250***DF
LMS300A***	PK+D150/190	BS300***	R300***DF
LMS350A***	PK+D150/D190/D230/260	BS350***	R350***DF
LMS400A***	PK+/D190/D230/260	BS400***	R400***DF
LMS450A***	PK+/D190/D230/260D/D330	BS451***	R450***DF
LMS550A***	PK+/D190/D230/260D/D330	BS551***	R550***DF
LMS660A***	PK+/D190/D230/260D/D330	BS661***	R660***DF

Note:

The above table is guideline only.

Not all bell-housings are fully interchangeable.